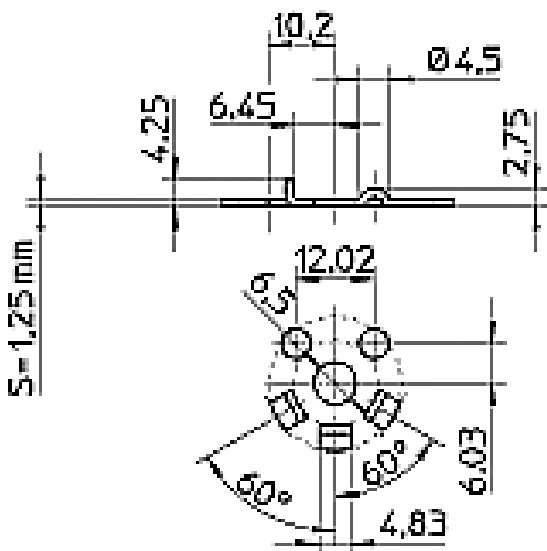
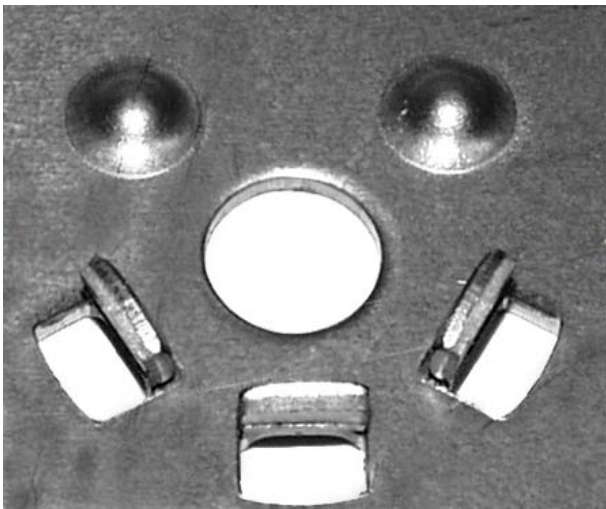


5-Station Emboss Tool

System

TRUMPF

Technical Information



Data:

This tool was produced for machine type

TruPunch 5000

Sheet thickness s = 1,25 mm

Sheet material Steel

General information

The dimples and the tabs are produced in ONE hit simultaneously.

Date: 07.04.2005

Yours PASS Stanztechnik AG

This information is the property of PASS Stanztechnik AG and must not be copied or otherwise given to other persons without written consent.