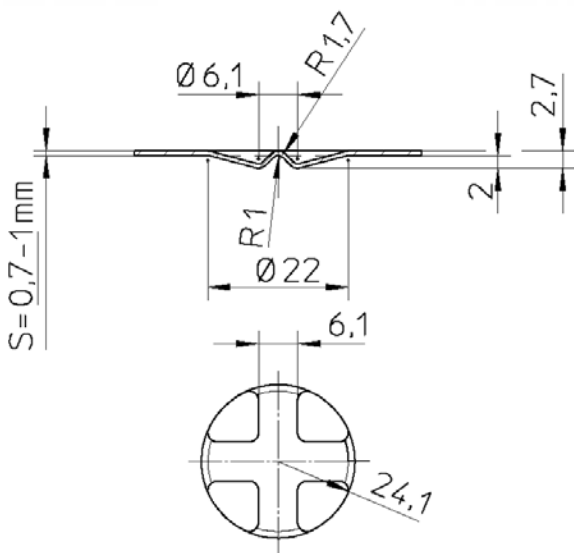
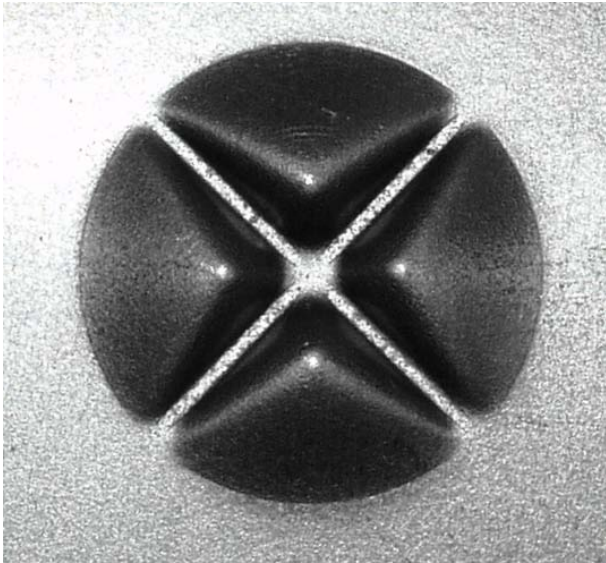


Center Emboss Tool

System

SALVAGNINI

Technical Information



Data:

This tool was produced for machine type

Salvagnini - Syst. 3

Sheet thickness s = 0,7 - 1,0 mm

Sheet material mild steel

General information

Down-form embossing.

Date: 08.04.2005

Yours PASS Stanztechnik AG

This information is the property of PASS Stanztechnik AG and must not be copied or otherwise given to other persons without written consent.