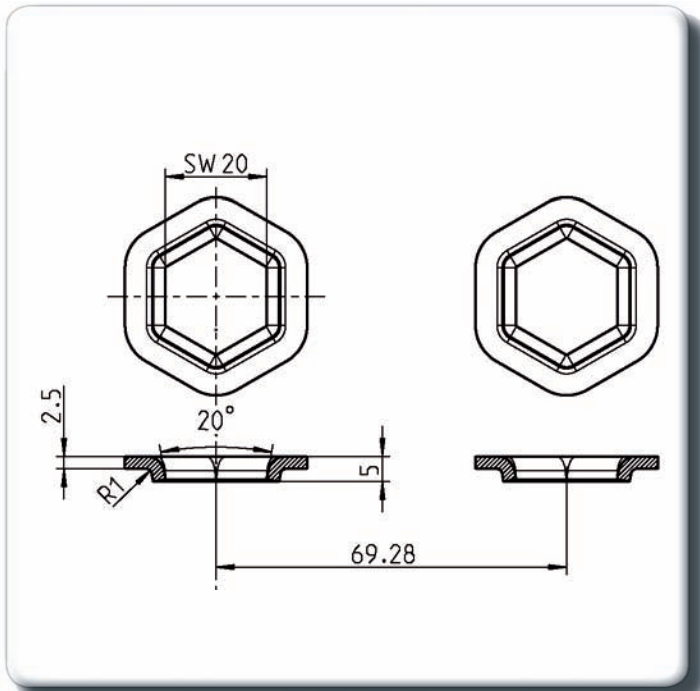


Emboss Tool

System

TRUMPF

Technical Information



Data:

These tools were produced for machine type **TC 260L**

Sheet thickness $s = 2,5 \text{ mm}$

Sheet material Steel

General information

Up-form & Down-form Tool (special clearance in tool).

Date: 14.09.2009

Yours PASS Stanztechnik AG

This information is the property of PASS Stanztechnik AG and must not be copied or otherwise given to other persons without written consent.