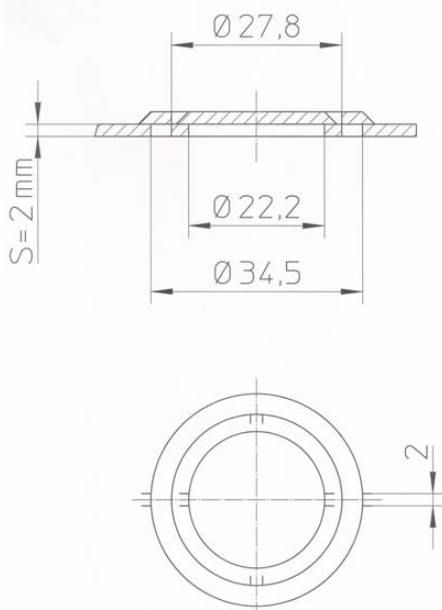
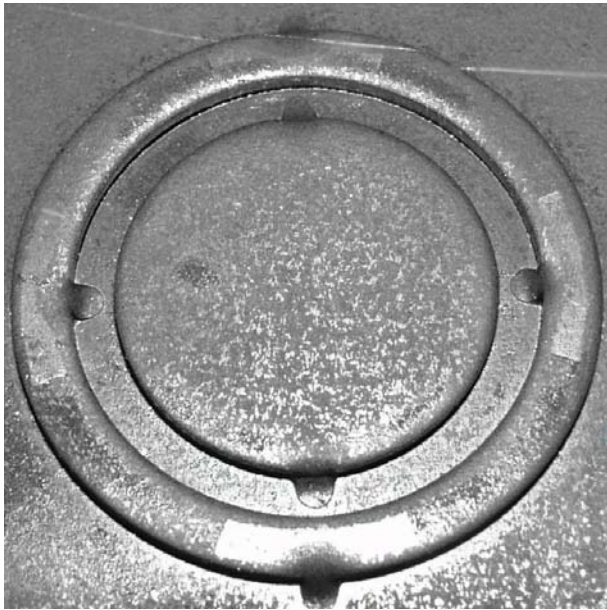


## Knockout Tool

System

# THICK TURRET

## Technical Information



### Data:

This tool was produced for machine type

Amada - Aries 245

**Sheet thickness**      $s = 2 \text{ mm}$

**Sheet material**     Aluminium

### General

3-Station Knockout Tool with 2 retaining clips per ring.

Date: 16.06.2005

Yours PASS Stanztechnik AG

This information is the property of PASS Stanztechnik AG and must not be copied or otherwise given to other persons without written consent.