

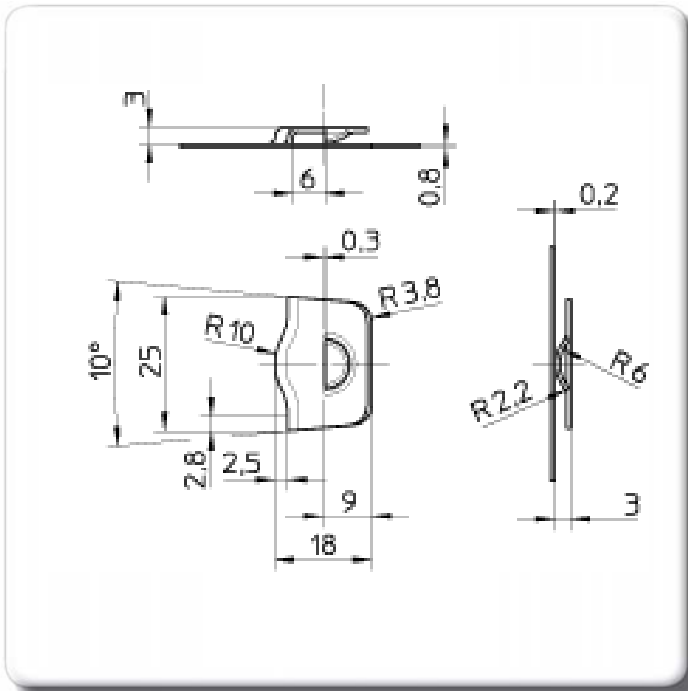
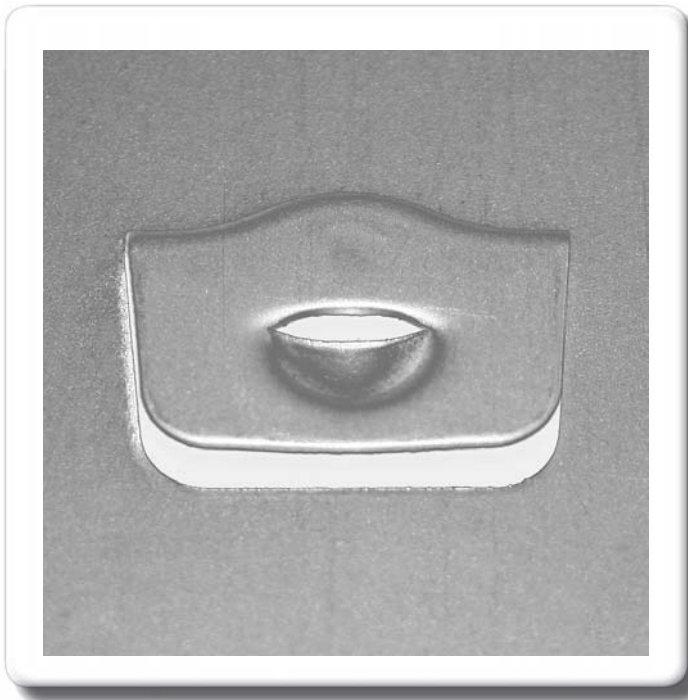


Lance Form Tool

System

SALVAGNINI

Technical Information



Data:

This tool was produced for machine type
Salvagnini - Syst. 3

Sheet thickness $s = 0,8 \text{ mm}$

Sheet material mild steel

General information

For BU-Station.

Date: 12.01.2010

Yours PASS Stanztechnik AG

This information is the property of PASS Stanztechnik AG and must not be copied or otherwise given to other persons without written consent.