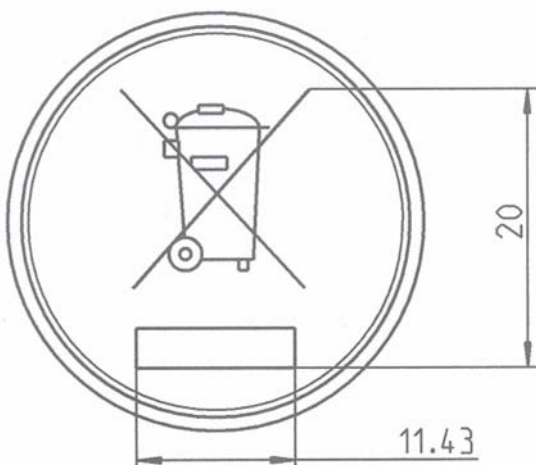


Marking Tool

System

TRUMPF

Technical Information



Data:

This tool was produced for machine type
TC 500R

Sheet thickness $s = 1,0 - 3,0 \text{ mm}$

Sheet material Steel

General information

The marking is made from raised lines in the die to be coined on the sheet.

Date: 07.10.2005

Yours PASS Stanztechnik AG

This information is the property of PASS Stanztechnik AG and must not be copied or otherwise given to other persons without written consent.