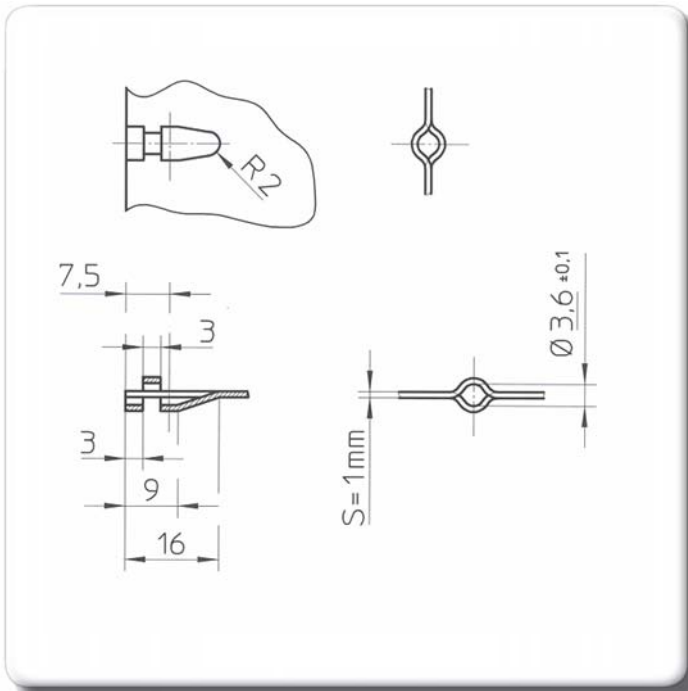


Screw Pocket Tool

System

TRUMPF

Technical Information



Data:

This tool was produced for machine type
TC 5000R

Sheet thickness $s = 1,0 \text{ mm}$

Sheet material Verzinktes Steel

General information

Tool is used to fix a sheet vertically in order to screw together.

Date: 29.04.2004

Yours PASS Stanztechnik AG

This information is the property of PASS Stanztechnik AG and must not be copied or otherwise given to other persons without written consent.