

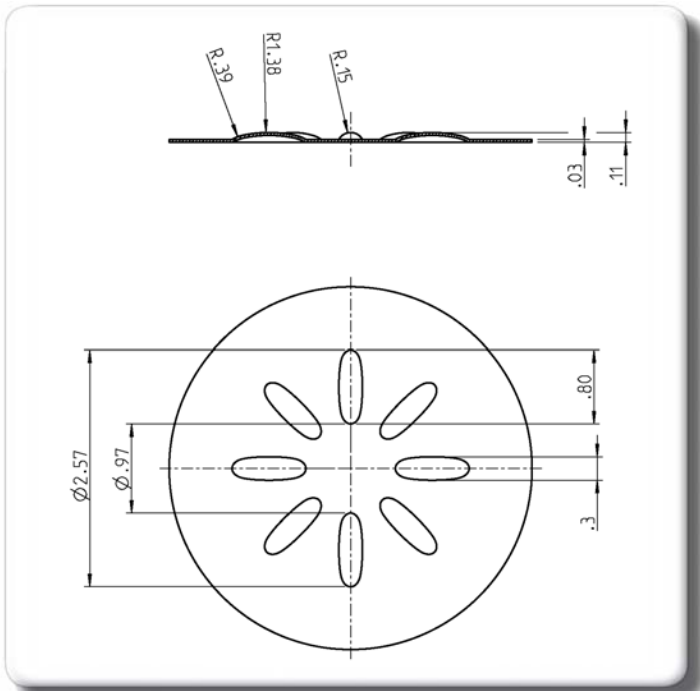


Texture-Emboss Tool

System

TRUMPF

Technical Information



Data:

This tool was produced for machine type
TC 500R / TC 2000

Sheet thickness $s = 0,8 \text{ mm}$

Sheet material Steel

General information

The emboss pattern is made in ONE hit.

Date: 19.04.2006

Yours PASS Stanztechnik AG

This information is the property of PASS Stanztechnik AG and must not be copied or otherwise given to other persons without written consent.