

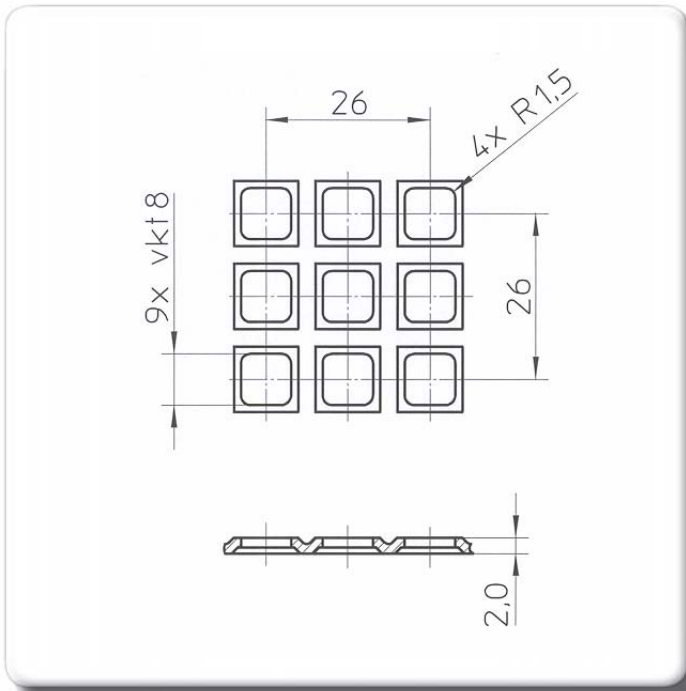
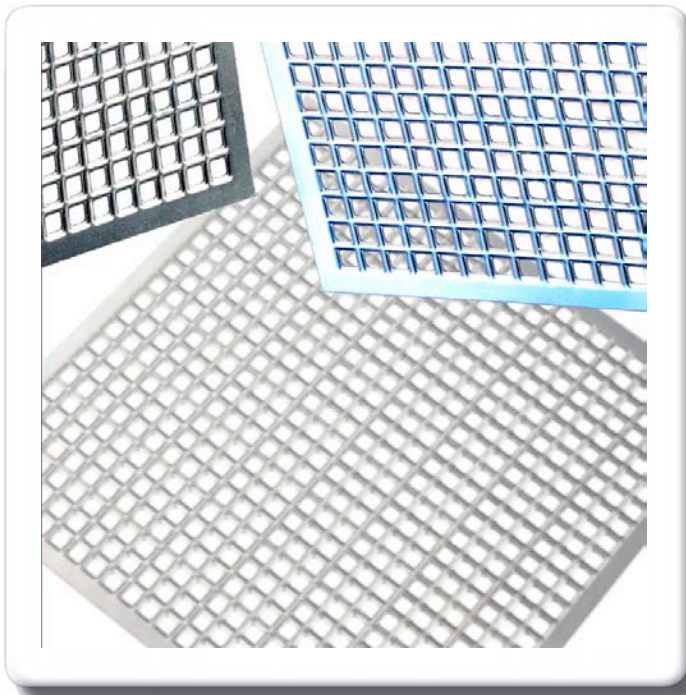


## 9-Station-Emboss Tool

System

# THICK TURRET / TRUMPF / SALVAGNINI

## Technical Information



### Data:

These tools were produced for machine types:

**Amada:** Vipros King

**TRUMPF:** TC 260 R

**Salvagnini:** S4, Stat. P21 & P24

**Sheet thickness**  $s = 1,5 \text{ mm}$

**Sheet material** Aluminium

### General information

The speciality of these tools is the punching and forming of the 9-Station embossing in only ONE hit.

Date: July 2006

Yours PASS Punch & Die Inc.

This information is the property of PASS PUNCH & DIE INC. and must not be copied or otherwise given to other persons without written consent.