

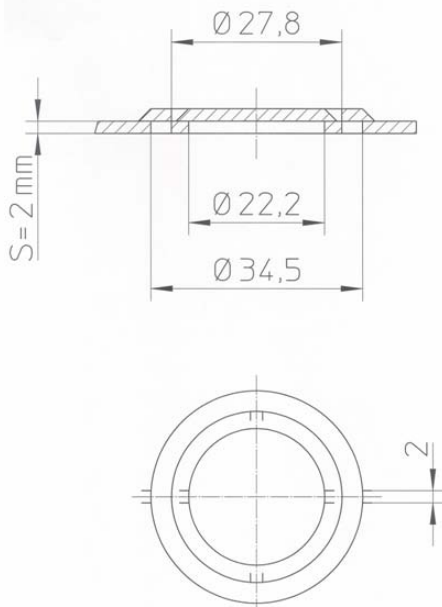
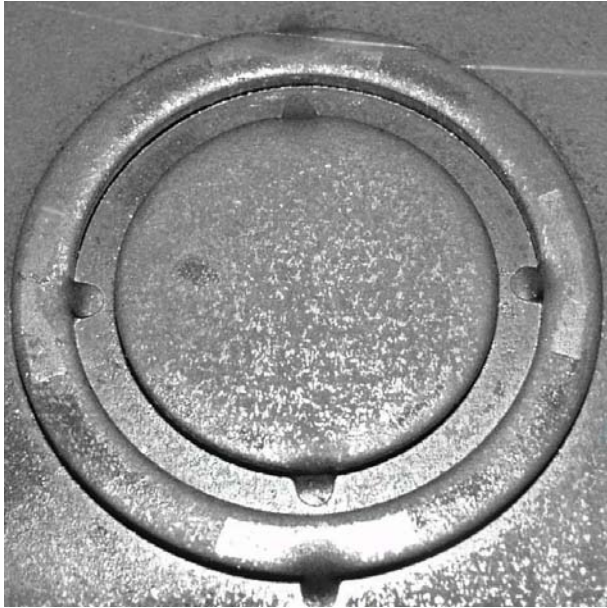


Knockout Tool

System

THICK TURRET

Technical Information



Data:

This tool was produced for machine type

Amada - Aries 245

Sheet thickness s = 2 mm

Sheet material Aluminium

General

3-Station Knockout Tool with 2 retaining clips per ring.

Date: 16.06.2005

Yours PASS Punch & Die Inc.

This information is the property of PASS PUNCH & DIE INC. and must not be copied or otherwise given to other persons without written consent.