

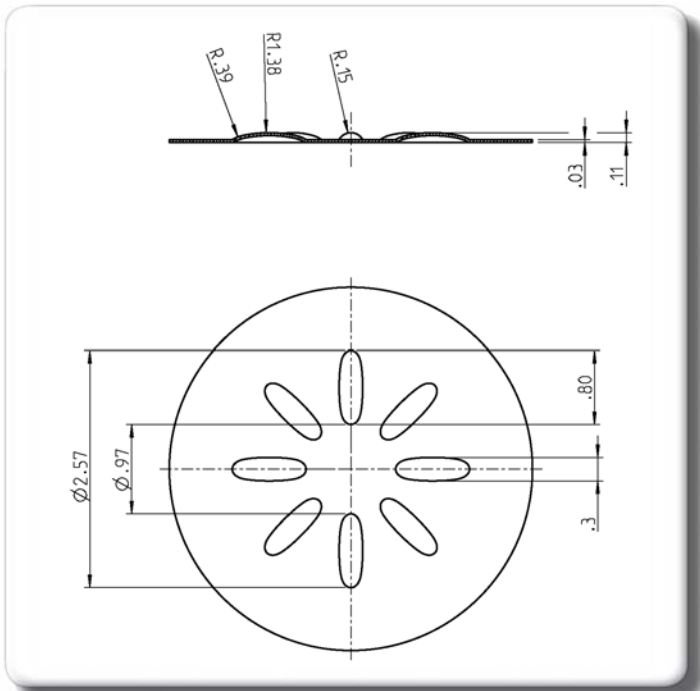


## Texture-Emboss Tool

System

# TRUMPF

## Technical Information



### Data:

This tool was produced for machine type  
**TC 500R / TC 2000**

**Sheet thickness**     s = 0,8 mm

**Sheet material**     Steel

### **General information**

The emboss pattern is made in ONE hit.

Date: 19.04.2006

Yours PASS Punch & Die Inc.

This information is the property of PASS PUNCH & DIE INC. and must not be copied or otherwise given to other persons without written consent.