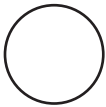
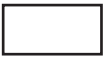
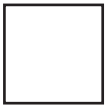




Am Steinkreuz 2  
95473 Creußen / Ofr.  
Telefon: 0 92 70 / 9 85 - 0  
Fax: 0 92 70 / 9 85 - 99  
E-Mail: [info@pass-ag.com](mailto:info@pass-ag.com)  
Internet: [www.pass-ag.com](http://www.pass-ag.com)

System

**Amada**



# Catalog

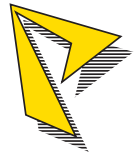
## System AMADA

Catalog 10/02-A

System

**Amada**

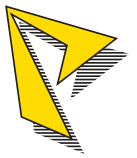
**PASS STANZTECHNIK AG**



Am Steinkreuz 2  
95473 Creußen / Ofr.  
Telefon: 0 92 70 / 9 85 - 0  
Fax: 0 92 70 / 9 85 - 99  
E-Mail: [info@pass-ag.com](mailto:info@pass-ag.com)  
Internet: [www.pass-ag.com](http://www.pass-ag.com)

## Catalog 10/02-A

List prices are shown and do not include shipping, taxes, etc...



Am Steinkreuz 2  
95473 Creußen / Ofr.  
Telefon: 0 92 70 / 9 85 - 0  
Fax: 0 92 70 / 9 85 - 99  
E-Mail: info@pass-ag.com  
Internet: www.pass-ag.com

## Index

PASS-ALPHA System overview .....	pages 5 - 6
PASS-ALPHA System Station A (1/2") .....	pages 8 - 10
PASS-ALPHA System Station B (1 1/4") .....	pages 12 - 14
PASS-ALPHA System Station C (2") .....	pages 16 - 18
PASS-ALPHA System Station D (3 1/2") .....	pages 20 - 22
PASS-ALPHA System Station E (4 1/2") .....	pages 24 - 26
PASS Standard Tools overview .....	pages 27 - 28
PASS Standard Tools Station A (1/2") .....	pages 30 - 32
PASS Standard Tools Station B (1 1/4") .....	pages 34 - 36
PASS Standard Tools Station C (2") .....	pages 38 - 40
PASS Standard Tools Station D (3 1/2") .....	pages 42 - 44
PASS Standard Tools Station E (4 1/2") .....	pages 46 - 48
Special Shape Descriptions .....	pages 50 - 51
Punch Shear Options .....	page 52
Shape Orientation .....	page 53

Catalog 10/02-A

PASS-ALPHA System

System

**Amada**

**PASS STANZTECHNIK AG**



Am Steinkreuz 2

95473 Creußen / Ofr.

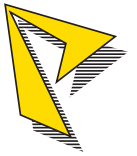
Telefon: 0 92 70 / 9 85 - 0

Fax: 0 92 70 / 9 85 - 99

E-Mail: [info@pass-ag.com](mailto:info@pass-ag.com)

Internet: [www.pass-ag.com](http://www.pass-ag.com)

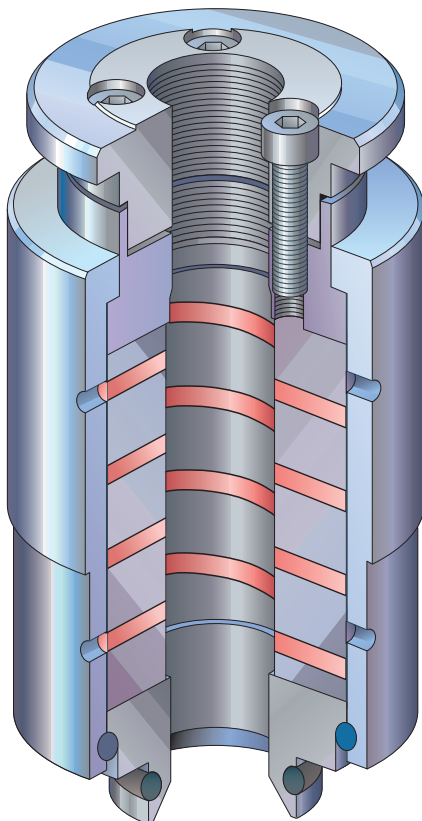
## **PASS-ALPHA System**



## **PASS-ALPHA SYSTEM**

### **Thick-Turret Punch Tooling**

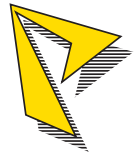
(for AMADA and FINN-POWER)



### **PASS-ALPHA:**

**a durable, easy to adjust punch system for Thick-Turret machines with these COST SAVING features:**

- exceptionally long tool life
- easy punch length adjustment
- extremely durable design
- 9,5 mm punch regrind length
- interchangeable stripper plates
- easy snap on/off guide assy
- available for all stations: A, B, C, D, E



## **PASS-ALPHA Thick-Turret Punch Tooling**

(for AMADA and FINN-POWER)

### **PASS-ALPHA System Advantages:**

- Superior Tool life: our custom formulated tool steels and heat-treat process and the inherent stability of the PASS-ALPHA design, provides exceptionally long tool life (over twice the life of some designs before sharpening is required), significantly reducing overall tool costs.
- Easy punch adjustment: PASS-ALPHA tools offer easy, infinite punch length adjustability in or out of the turret. Just unlock the head and turn to obtain the desired punch height.
- Durable head design: the unique PASS-ALPHA locking head design and its heavy duty components, prevent punch height locking failure and keeps the internal assembly clean. It's designed and built to last.
- Superior re-grind length: PASS-ALPHA tools can be resharpened up to 9.5mm.
- Interchangeable stripper plates: PASS-ALPHA guides are built with interchangeable strippers that allow the same guide and head assembly to be used for a variety of shapes (just change the punch insert and stripper), reducing overall tool costs.
- Easy guide assembly: PASS-ALPHA guides can be snapped on/off by simply pulling or pushing.
- Common punch inserts: PASS-ALPHA system uses original AMADA-style metric punch inserts.
- Available for all stations: PASS-ALPHA is available for all station (A, B, C, D, E) sizes (no interchangeable stripper for station A).
- Competitive pricing: Our highly automated machining processes allows us to provide top quality tools at competitive prices.
- Quick delivery: stocked components & blanks & automated machining allow short lead-times.
- Cluster Punch, Emboss and other Special tools: cluster tools, forming, embossing and other special tools are available from PASS with short lead-times.
- TiCN Coating: All tools are available with TiCN coating, however normally this is not required due to the superior tool steel used by PASS.

Catalog 10/02-A

PASS-ALPHA System

System

**Amada**

**PASS STANZTECHNIK AG**



Am Steinkreuz 2

95473 Creußen / Ofr.

Telefon: 0 92 70 / 9 85 - 0

Fax: 0 92 70 / 9 85 - 99

E-Mail: [info@pass-ag.com](mailto:info@pass-ag.com)

Internet: [www.pass-ag.com](http://www.pass-ag.com)

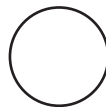
## **PASS-ALPHA System Station A**



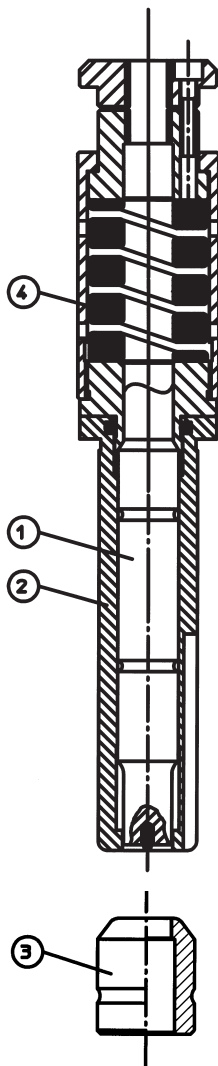
**PASS-ALPHA**

**Station A (1/2")**

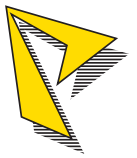
Round



**Rounds 1.6 mm to 12.7 mm**

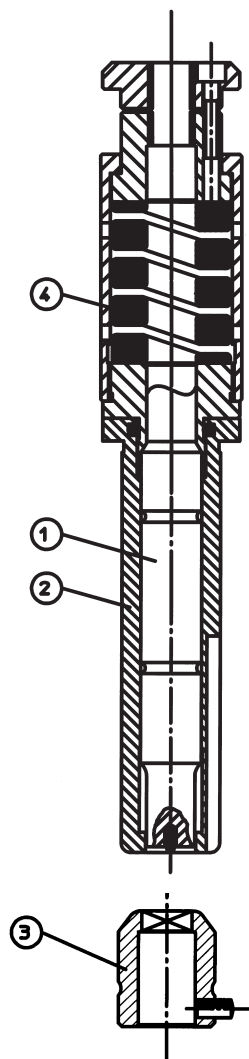


pos.	Description	p / n	Price
1	Punch Insert	422A01	*
2	Guide Assembly	431A01	*
3	Die (slug trap)	451A01	*
4	Alpha head assy	498A00	*
5	Complete punch assy (die not included)	498AA1	*

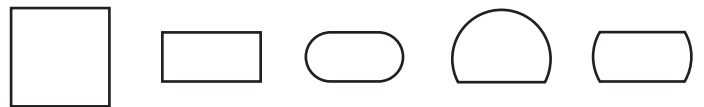


**PASS-ALPHA**

**Station A (1/2“)**



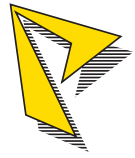
Form „2“ Form „3“ Form „4“ Form „5“ Form „6“



Standard **Shapes to 12.7 mm**

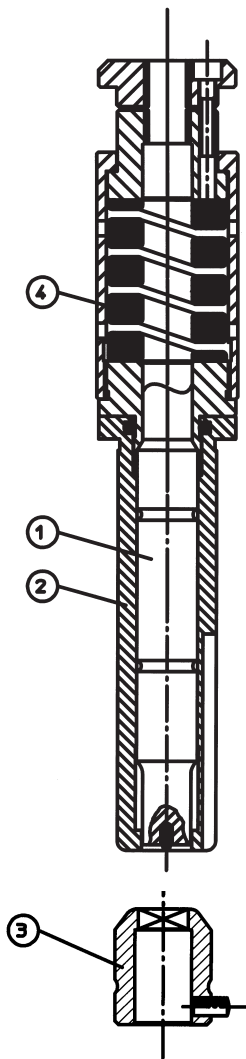
pos.	Description	p / n	Price
1	Punch Insert	422A0?	*
2	Guide Assembly	431A0?	*
3	Die (slug trap)	451A0?	*
4	Alpha head assy	498A00	*
5	Complete punch assy (die not included)	498AA?	*

\* please inquire



**PASS-ALPHA**

**Station A (1/2")**



Special Shapes to 12.7 mm

pos.	Description	p / n	Price
1	Punch Insert	422A0SF	*
2	Guide Assembly	431A0SF	*
3	Die (slug trap)	451A0SF	*
4	Alpha head assy	498A00	*
5	Complete punch assy (die not included)	498AASF	*

\* please inquire

Catalog 10/02-A

PASS-ALPHA System

System

**Amada**

**PASS STANZTECHNIK AG**



Am Steinkreuz 2

95473 Creußen / Ofr.

Telefon: 0 92 70 / 9 85 - 0

Fax: 0 92 70 / 9 85 - 99

E-Mail: [info@pass-ag.com](mailto:info@pass-ag.com)

Internet: [www.pass-ag.com](http://www.pass-ag.com)

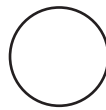
## **PASS-ALPHA System Station B**



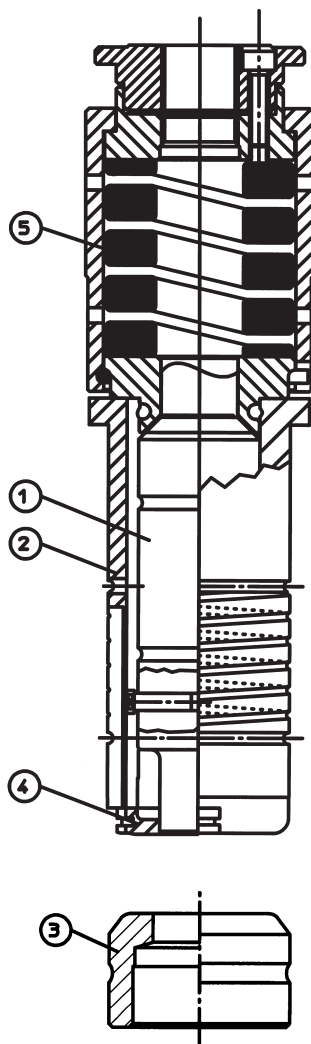
**PASS-ALPHA**

**Station B (1 1/4")**

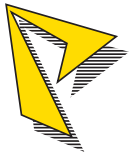
Round



**Rounds 12.7 mm to 31.7 mm**

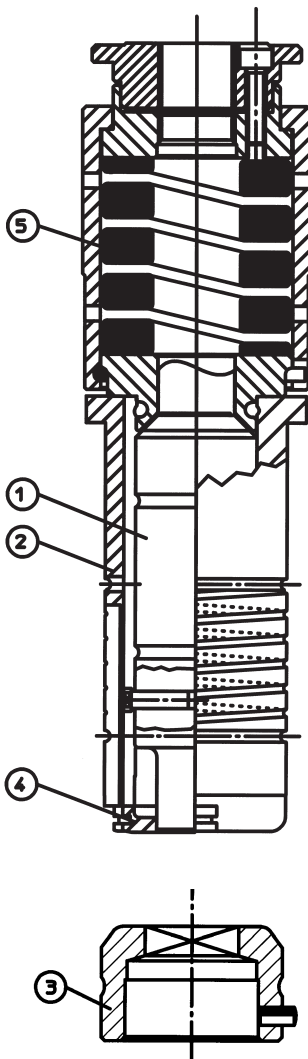


pos.	Description	p / n	Price
1	Punch Insert	422B01	*
2	Guide Assembly	431B00	*
3	Die (slug trap)	451B01	*
4	Stripper plate	461B01	*
5	Alpha head assy	498B00	*
6	Complete punch assy (die not included)	498BA1	*

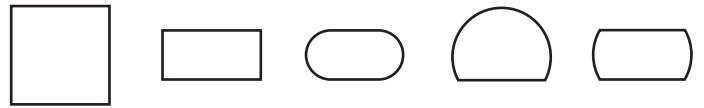


**PASS-ALPHA**

**Station B (1 1/4")**



Form „2“ Form „3“ Form „4“ Form „5“ Form „6“



Standard **Shapes to 31.7 mm**

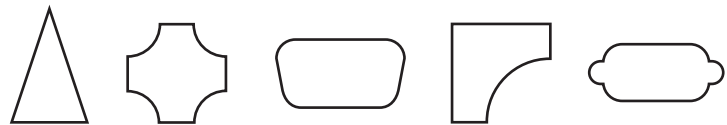
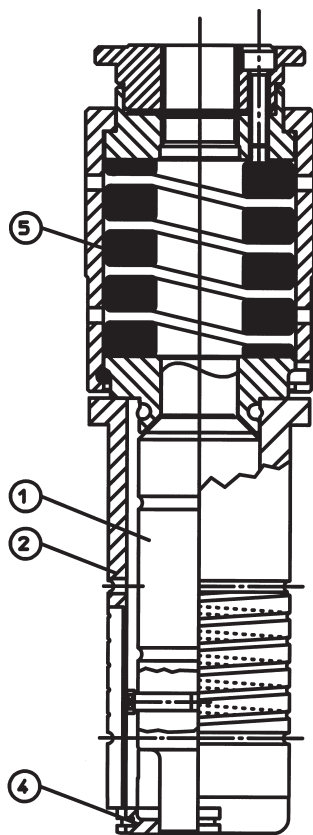
pos.	Description	p / n	Price
1	Punch Insert	422B0?	*
2	Guide Assembly	431B00	*
3	Die (slug trap)	451B0?	*
4	Stripper plate	461B0?	*
5	Alpha head assy	498B00	*
6	Complete punch assy (die not included)	498BA?	*

\* please inquire



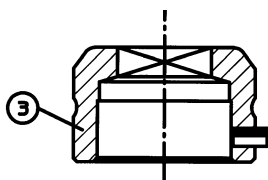
**PASS-ALPHA**

**Station B (1 1/4")**



Special Shapes to 31.7 mm

pos.	Description	p / n	Price
1	Punch Insert	422B0?	*
2	Guide Assembly	431B00	*
3	Die (slug trap)	451B0?	*
4	Stripper plate	461B0?	*
5	Alpha head assy	498B00	*
6	Complete punch assy (die not included)	498BASF	*



Catalog 10/02-A

PASS-ALPHA System

System

**Amada**

**PASS STANZTECHNIK AG**



Am Steinkreuz 2

95473 Creußen / Ofr.

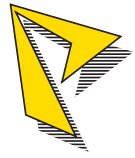
Telefon: 0 92 70 / 9 85 - 0

Fax: 0 92 70 / 9 85 - 99

E-Mail: [info@pass-ag.com](mailto:info@pass-ag.com)

Internet: [www.pass-ag.com](http://www.pass-ag.com)

## **PASS-ALPHA System Station C**

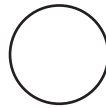


Am Steinkreuz 2  
 95473 Creußen / Ofr.  
 Telefon: 0 92 70 / 9 85 - 0  
 Fax: 0 92 70 / 9 85 - 99  
 E-Mail: info@pass-ag.com  
 Internet: www.pass-ag.com

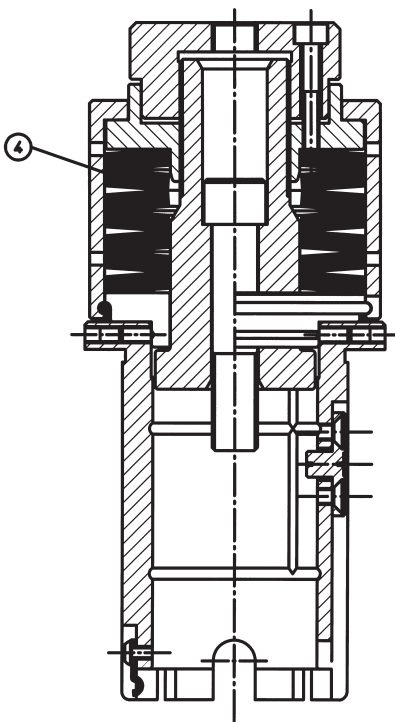
**PASS-ALPHA**

**Station C (2“)**

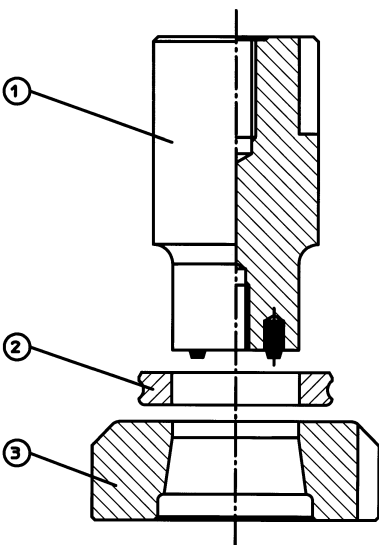
Round



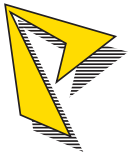
**Rounds 31.7 mm to 50.8 mm**



pos.	Description	p / n	Price
1	Punch Insert	422C01	*
2	Stripper insert	461C01	*
3	Die (slug trap)	451C01	*
4	Alpha assy	498C00	*

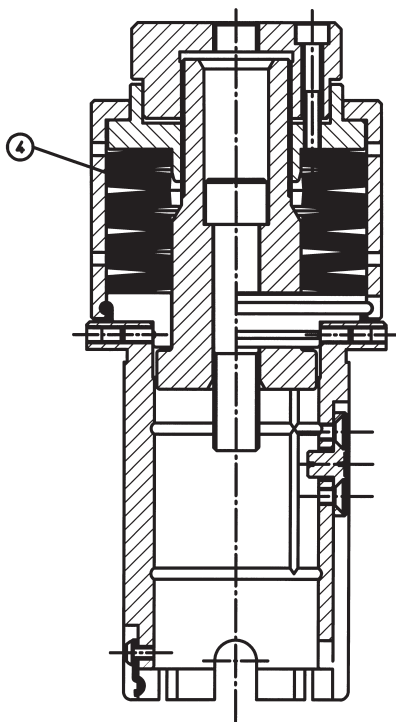


\* please inquire

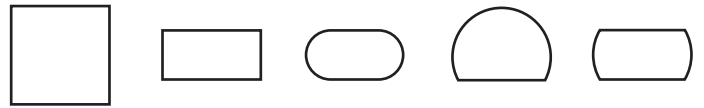


**PASS-ALPHA**

**Station C (2“)**

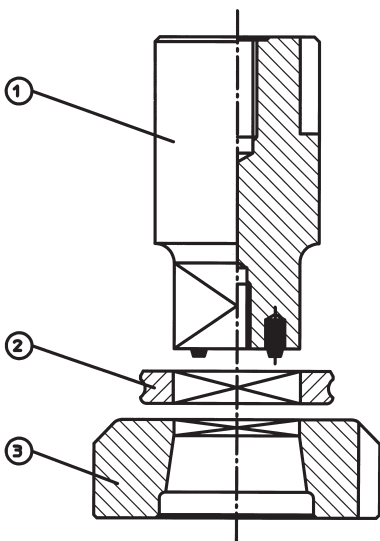


Form „2“ Form „3“ Form „4“ Form „5“ Form „6“



Standard Shapes to 50.8 mm

pos.	Description	p / n	Price
1	Punch Insert	422C0?	*
2	Stripper insert	461C0?	*
3	Die (slug trap)	451C0?	*
4	Alpha assy	498C00	*

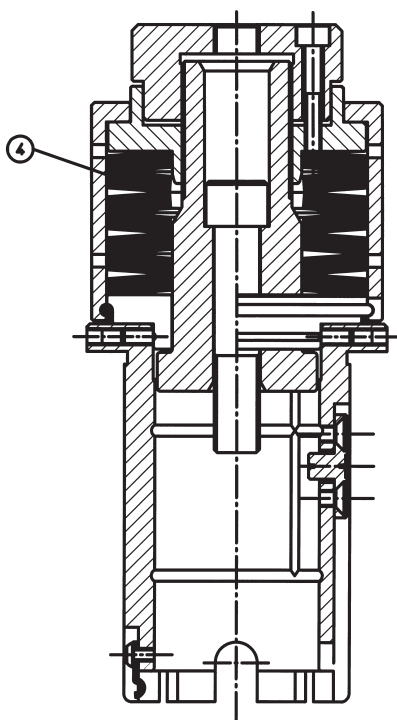


\* please inquire



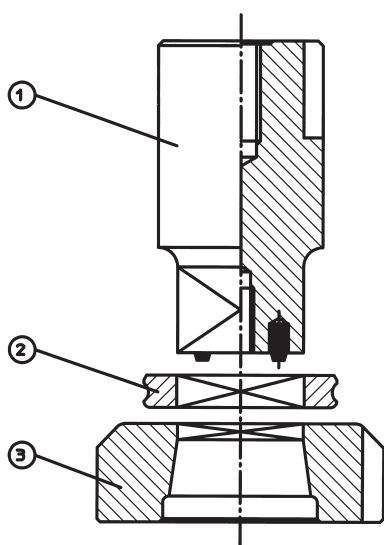
**PASS-ALPHA**

**Station C (2“)**



Special Shapes to 50.8 mm

pos.	Description	p / n	Price
1	Punch Insert	422C0?	*
2	Stripper insert	461C0?	*
3	Die (slug trap)	451C0?	*
4	Alpha assy	498C00	*



\* please inquire

Catalog 10/02-A

PASS-ALPHA System

System

**Amada**

**PASS STANZTECHNIK AG**



Am Steinkreuz 2  
95473 Creußen / Ofr.  
Telefon: 0 92 70 / 9 85 - 0  
Fax: 0 92 70 / 9 85 - 99  
E-Mail: [info@pass-ag.com](mailto:info@pass-ag.com)  
Internet: [www.pass-ag.com](http://www.pass-ag.com)

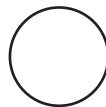
## **PASS-ALPHA System Station D**



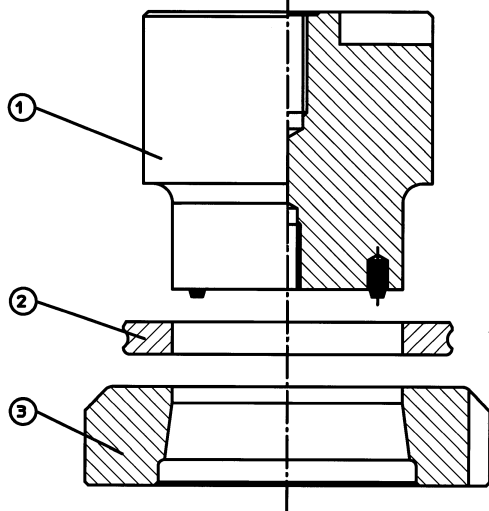
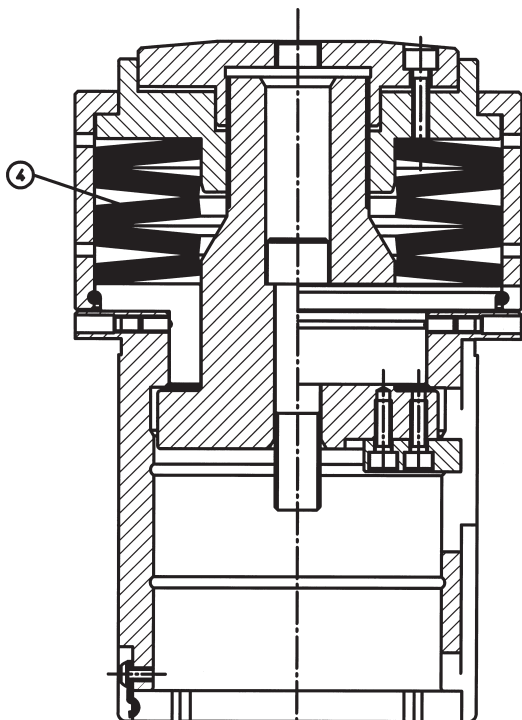
**PASS-ALPHA**

**Station D (3 1/2")**

Round



**Rounds 50.8 mm to 88.9 mm**



pos.	Description	p / n	Price
1	Punch Insert	422D01	*
2	Stripper insert	461D01	*
3	Die (slug trap)	451D01	*
4	Alpha assy	498D00	*

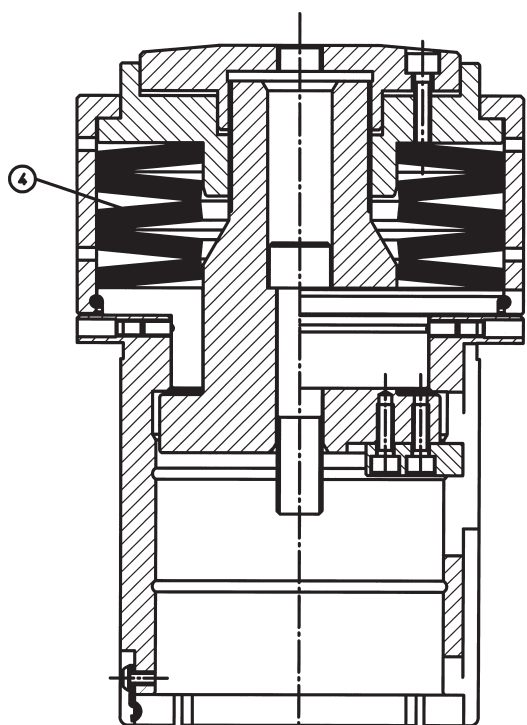
\* please inquire



Am Steinkreuz 2  
 95473 Creußen / Ofr.  
 Telefon: 0 92 70 / 9 85 - 0  
 Fax: 0 92 70 / 9 85 - 99  
 E-Mail: info@pass-ag.com  
 Internet: www.pass-ag.com

**PASS-ALPHA**

**Station D (3 1/2")**

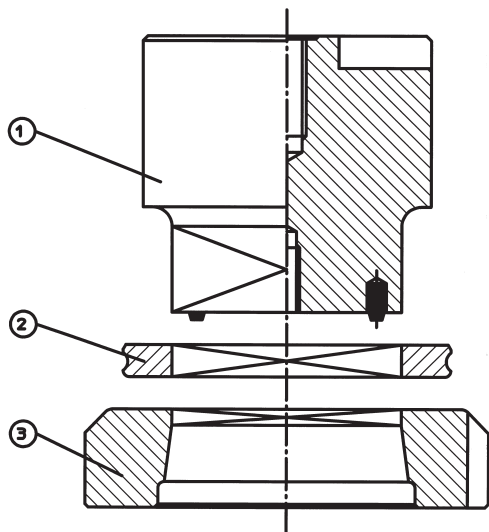


Form „2“ Form „3“ Form „4“ Form „5“ Form „6“



Standard Shapes to 88.9 mm

pos.	Description	p / n	Price
1	Punch Insert	422D0?	*
2	Stripper insert	461D0?	*
3	Die (slug trap)	451D0?	*
4	Alpha assy	498D00	*

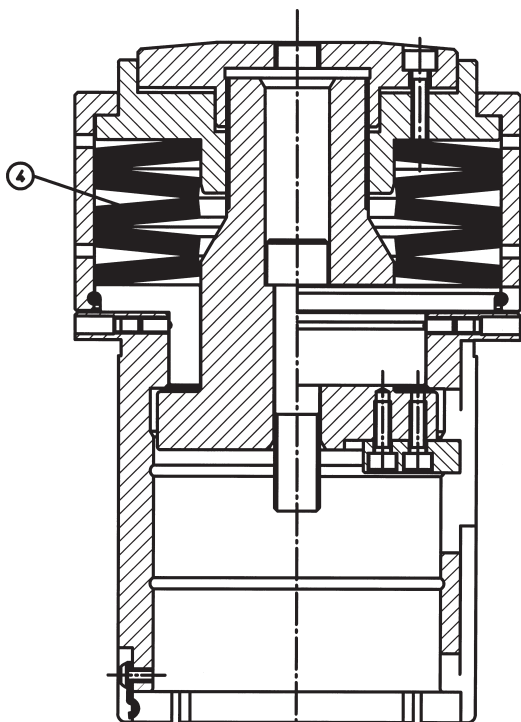


\* please inquire



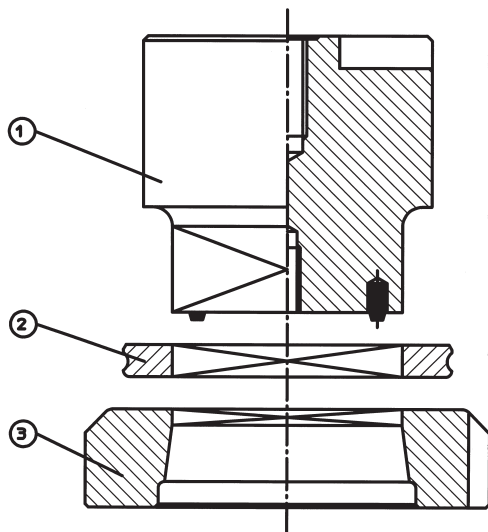
**PASS-ALPHA**

**Station D (3 1/2")**



Special Shapes to 88.9 mm

pos.	Description	p / n	Price
1	Punch Insert	422D0?	*
2	Stripper insert	461D0?	*
3	Die (slug trap)	451D0?	*
4	Alpha assy	498D00	*



\* please inquire

Catalog 10/02-A

PASS-ALPHA System

System

**Amada**

**PASS STANZTECHNIK AG**



Am Steinkreuz 2

95473 Creußen / Ofr.

Telefon: 0 92 70 / 9 85 - 0

Fax: 0 92 70 / 9 85 - 99

E-Mail: [info@pass-ag.com](mailto:info@pass-ag.com)

Internet: [www.pass-ag.com](http://www.pass-ag.com)

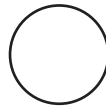
## **PASS-ALPHA System Station E**



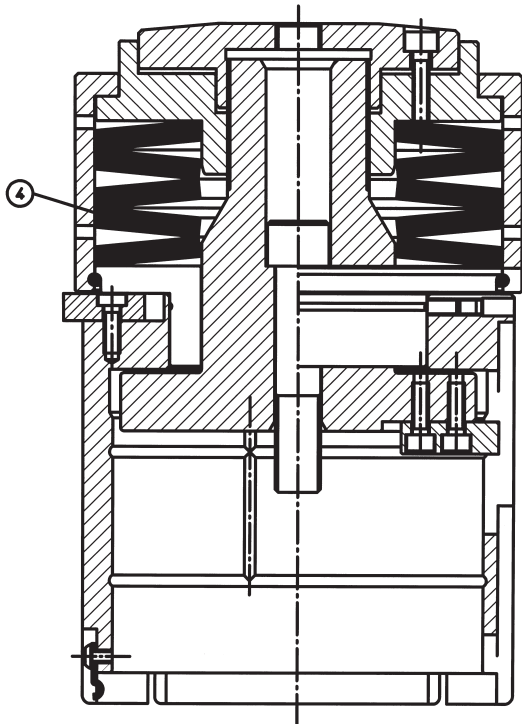
**PASS-ALPHA**

**Station E (4 1/2")**

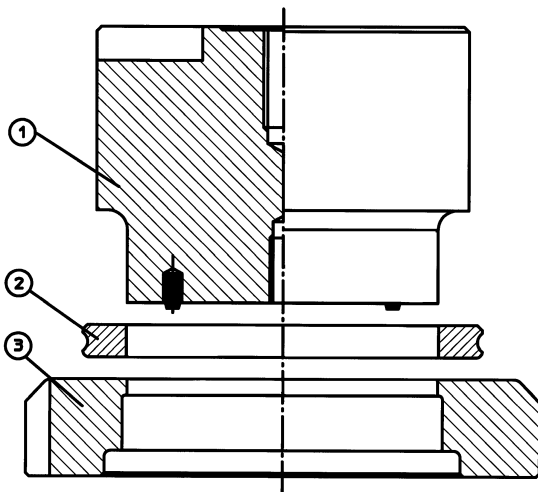
Round



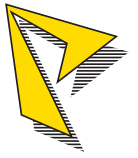
**Rounds 88.9 mm to 114.3 mm**



pos.	Description	p / n	Price
1	Punch Insert	422E01	*
2	Stripper insert	461E01	*
3	Die (slug trap)	451E01	*
4	Alpha assy	498E00	*

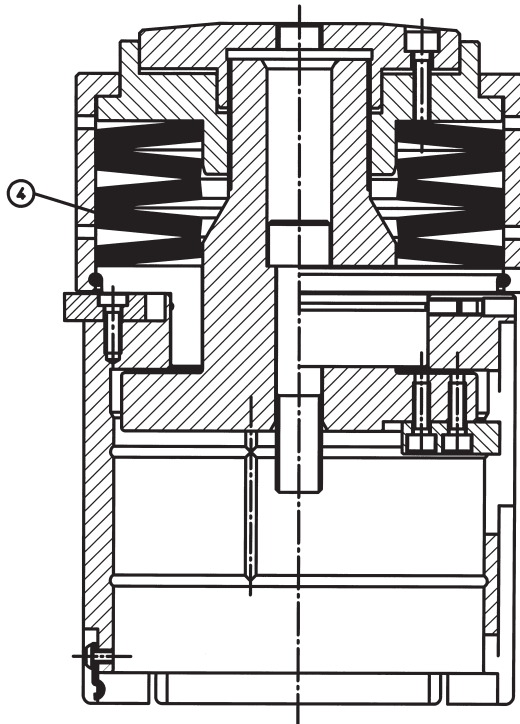


\* please inquire

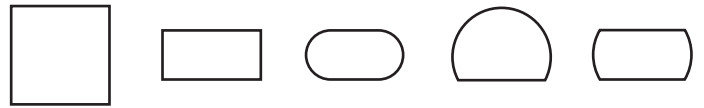


**PASS-ALPHA**

**Station E (4 1/2“)**

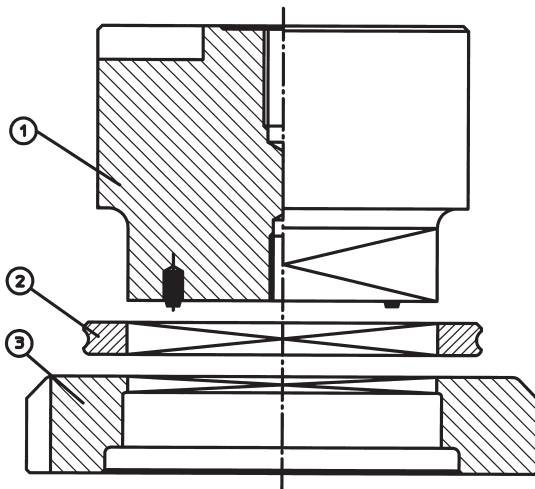


Form „2“ Form „3“ Form „4“ Form „5“ Form „6“



Standard Shapes to 114.3 mm

pos.	Description	p / n	Price
1	Punch Insert	422E0?	*
2	Stripper insert	461E0?	*
3	Die (slug trap)	451E0?	*
4	Alpha assy	498E00	*

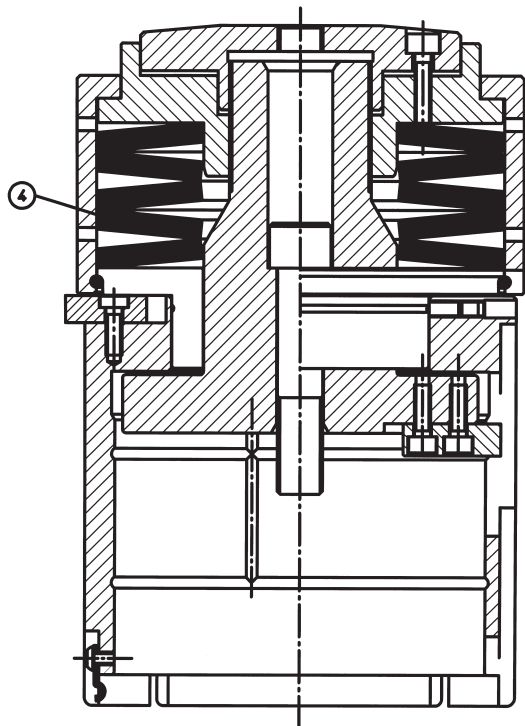


\* please inquire



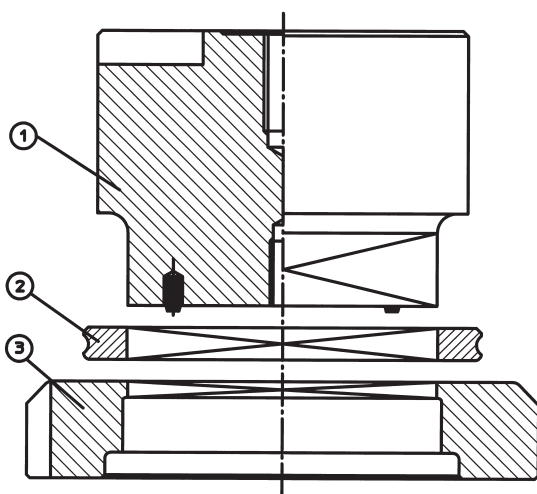
**PASS-ALPHA**

**Station E (4 1/2")**

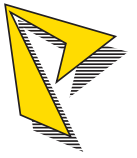


Special Shapes to 114.3 mm

pos.	Description	p / n	Price
1	Punch Insert	422E0?	*
2	Stripper insert	461E0?	*
3	Die (slug trap)	451E0?	*
4	Alpha assy	498E00	*



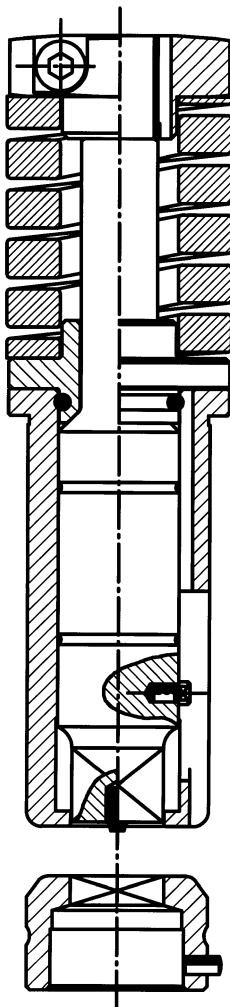
\* please inquire



## **PASS Standard Tools**

### **Thick-Turret Punch Tooling**

(for AMADA and FINN-POWER)



### **PASS Standard Tools for AMADA and FINN-POWER**

with these features:

- best materials for long tool life
- strong, durable design
- easy snap on/off guide assy
- original AMADA-style inserts
- inserts interchangeable with PASS-ALPHA System
- available for all stations: A, B, C, D, E



## PASS Thick-Turret Punch Tooling

(for AMADA and FINN-POWER)

### **PASS Standard Tool Advantages:**

- Exceptional Tool life: our custom formulated tool steels and heat-treat process, provides exceptionally long tool life, reducing overall tool costs.
- Durable head design: the PASS locking head design and its heavy duty components, prevent punch height locking failure. It's designed and built to last.
- Easy guide assembly: PASS Station A and B guides can be snapped on/off by simply pulling or pushing.
- Common punch inserts: PASS Station A and B tools utilize original AMADA-style metric punch inserts.
- Interchangeable with PASS-ALPHA: All PASS standard tool punch inserts are interchangeable with PASS-ALPHA system assemblies.
- Available for all stations: PASS Standard tooling is available for all station (A, B, C, D, E) sizes (no interchangeable stripper for station A).
- Competitive pricing: Our highly automated machining processes allows us to provide top quality tools at competitive prices.
- Quick delivery: stocked components & blanks & automated machining allow short lead-times.
- Cluster Punch, Emboss and other Special tools: cluster tools, forming, embossing and other special tools are available from PASS with short lead-times.
- TiCN Coating: All tools are available with TiCN coating, however normally this is not required due to the superior tool steel used by PASS.

Catalog 10/02-A

PASS Standard Tools

System

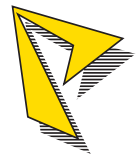
**Amada**

**PASS STANZTECHNIK AG**



Am Steinkreuz 2  
95473 Creußen / Ofr.  
Telefon: 0 92 70 / 9 85 - 0  
Fax: 0 92 70 / 9 85 - 99  
E-Mail: [info@pass-ag.com](mailto:info@pass-ag.com)  
Internet: [www.pass-ag.com](http://www.pass-ag.com)

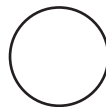
## **PASS Standard Tools Station A**



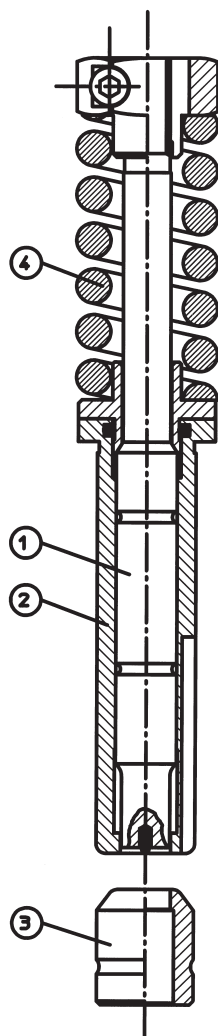
**PASS Standard**

**Station A (1/2")**

Round

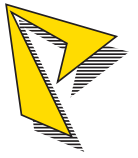


Rounds to 1.6 mm to 12.7 mm



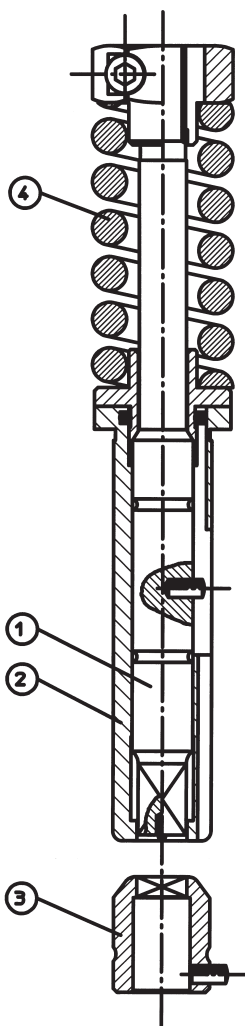
pos.	Description	p / n	Price
1	Punch Insert	422A01	*
2	Guide Assembly	431A01	*
3	Die (slug trap)	451A01	*
4	Complete punch assy (die not included)	412A01	*

\* please inquire

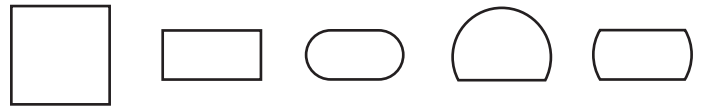


**PASS Standard**

**Station A (1/2“)**



Form „2“   Form „3“   Form „4“   Form „5“   Form „6“



Standard **Shapes to 12.7 mm**

pos.	Description	p / n	Price
1	Punch Insert	422A0?	*
2	Guide Assembly	431A0?	*
3	Die (slug trap)	451A0?	*
4	Complete punch assy (die not included)	412A0?	*

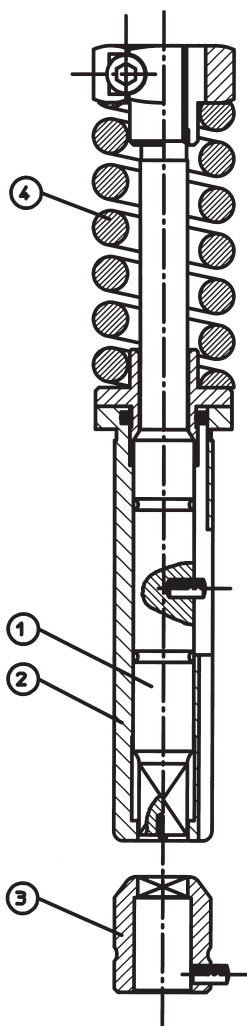
\* please inquire



Am Steinkreuz 2  
 95473 Creußen / Ofr.  
 Telefon: 0 92 70 / 9 85 - 0  
 Fax: 0 92 70 / 9 85 - 99  
 E-Mail: info@pass-ag.com  
 Internet: www.pass-ag.com

**PASS Standard**

**Station A (1/2")**



Special Shapes to 12.7 mm

pos.	Description	p / n	Price
1	Punch Insert	422A0?	*
2	Guide Assembly	431A0?	*
3	Die (slug trap)	451A0?	*
4	Complete punch assy (die not included)	412A0?	*

\* please inquire

Catalog 10/02-A

PASS Standard Tools

System

**Amada**

**PASS STANZTECHNIK AG**



Am Steinkreuz 2

95473 Creußen / Ofr.

Telefon: 0 92 70 / 9 85 - 0

Fax: 0 92 70 / 9 85 - 99

E-Mail: [info@pass-ag.com](mailto:info@pass-ag.com)

Internet: [www.pass-ag.com](http://www.pass-ag.com)

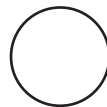
## **PASS Standard Tools Station B**



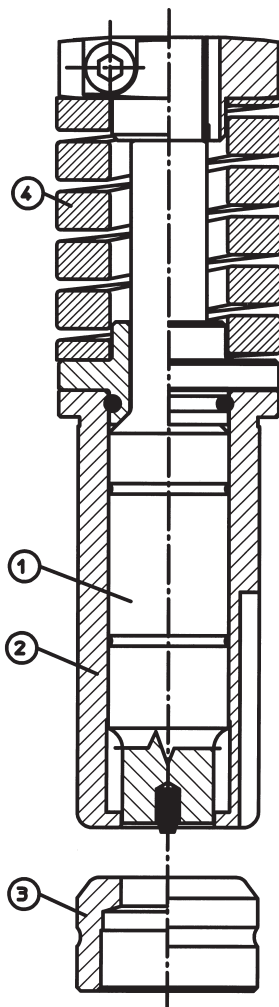
**PASS Standard**

**Station B (1 1/4")**

Round

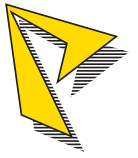


**Rounds 12.7 mm to 31.7 mm**



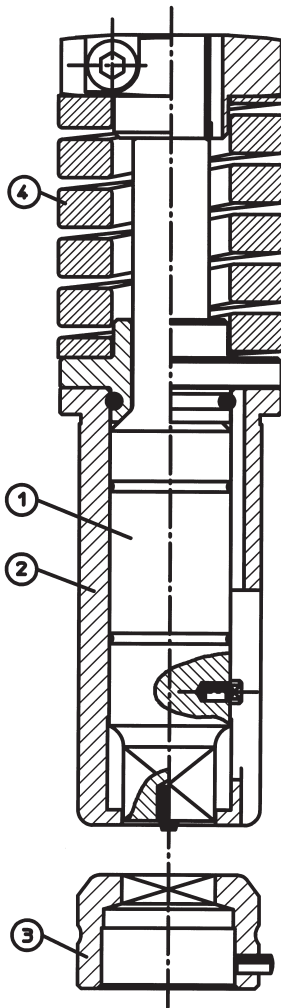
pos.	Description	p / n	Price
1	Punch Insert	422B01	*
2	Guide Assembly	431B01	*
3	Die (slug trap)	451B01	*
4	Complete punch assy (die not included)	412B01	*

\* please inquire

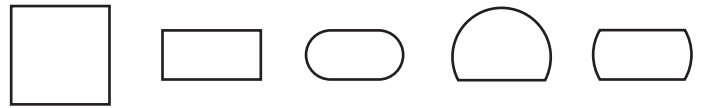


**PASS Standard**

**Station B (1 1/4“)**



Form „2“   Form „3“   Form „4“   Form „5“   Form „6“



Standard **Shapes to 31.7 mm**

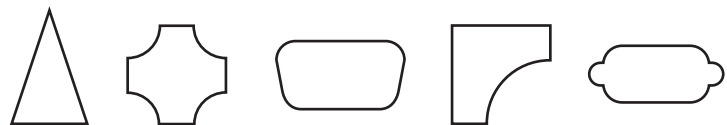
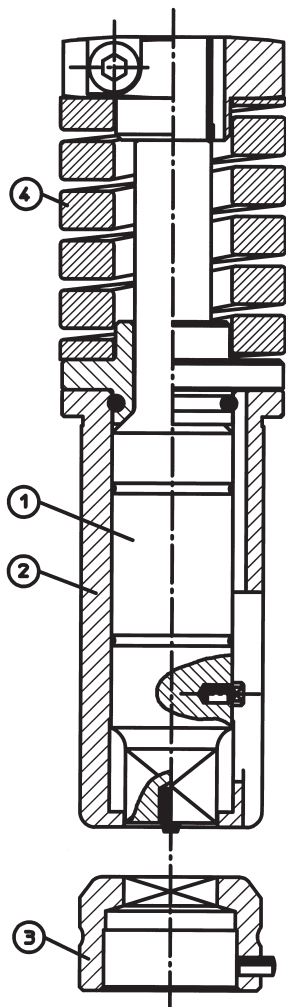
pos.	Description	p / n	Price
1	Punch Insert	422B0?	*
2	Guide Assembly	431B0?	*
3	Die (slug trap)	451B0?	*
4	Complete punch assy (die not included)	412B0?	*

\* please inquire



**PASS Standard**

**Station B (1 1/4")**



Special Shapes to 31.7 mm

pos.	Description	p / n	Price
1	Punch Insert	422B0?	*
2	Guide Assembly	431B0?	*
3	Die (slug trap)	451B0?	*
4	Complete punch assy (die not included)	412B0?	*

\* please inquire

Catalog 10/02-A

PASS Standard Tools

System

**Amada**

**PASS STANZTECHNIK AG**



Am Steinkreuz 2

95473 Creußen / Ofr.

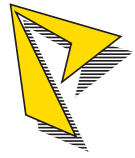
Telefon: 0 92 70 / 9 85 - 0

Fax: 0 92 70 / 9 85 - 99

E-Mail: [info@pass-ag.com](mailto:info@pass-ag.com)

Internet: [www.pass-ag.com](http://www.pass-ag.com)

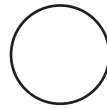
## **PASS Standard Tools Station C**



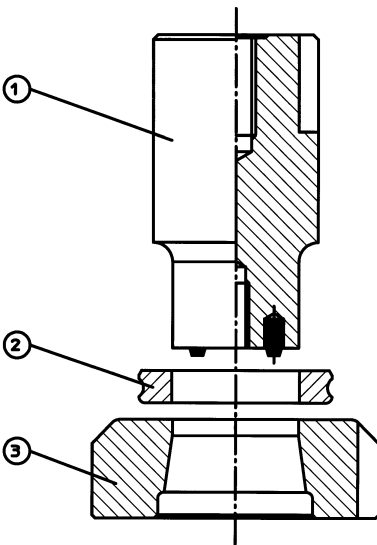
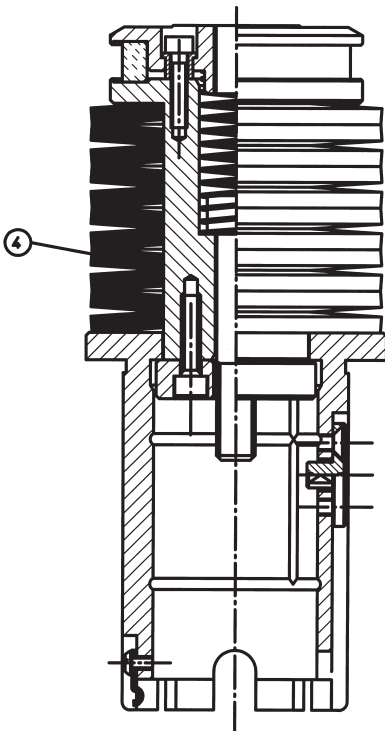
**PASS Standard**

**Station C (2“)**

Round

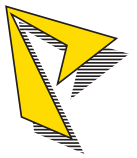


**Rounds 31.7 mm to 50.8 mm**



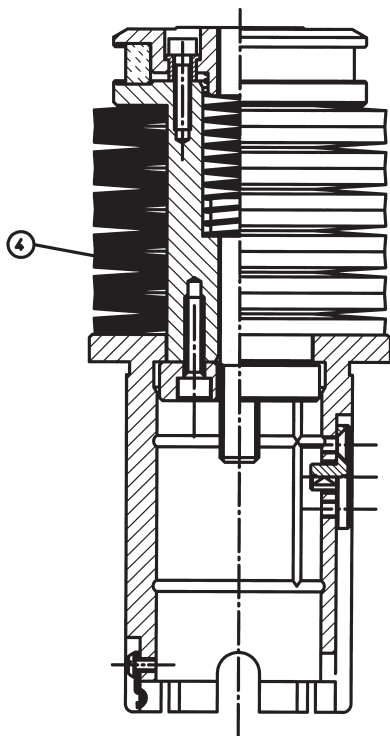
pos.	Description	p / n	Price
1	Punch Insert	422C01	*
2	Stripper insert	461C01	*
3	Die (slug trap)	451C01	*
4	Head/guide assy	499C01	*

\* please inquire

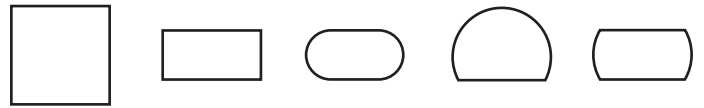


**PASS Standard**

**Station C (2“)**

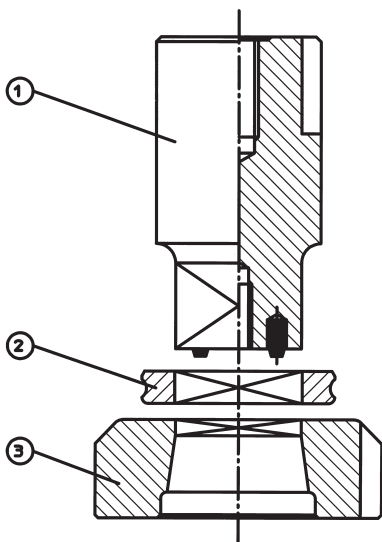


Form „2“    Form „3“    Form „4“    Form „5“    Form „6“



Standard **Shapes to 50.8 mm**

pos.	Description	p / n	Price
1	Punch Insert	422C0?	*
2	Stripper insert	461C0?	*
3	Die (slug trap)	451C0?	*
4	Head/guide assy	499C01	*



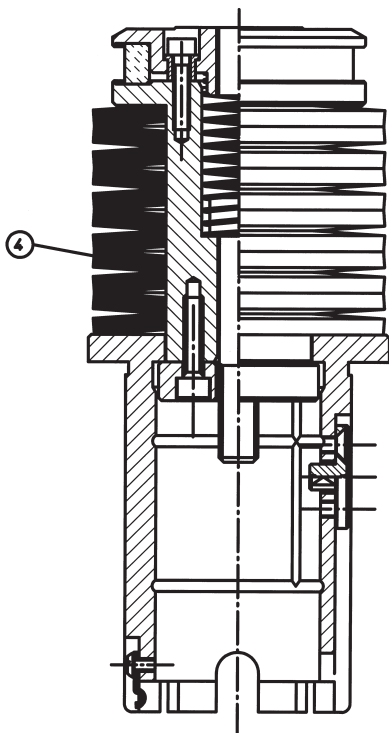
\* please inquire



Am Steinkreuz 2  
 95473 Creußen / Ofr.  
 Telefon: 0 92 70 / 9 85 - 0  
 Fax: 0 92 70 / 9 85 - 99  
 E-Mail: info@pass-ag.com  
 Internet: www.pass-ag.com

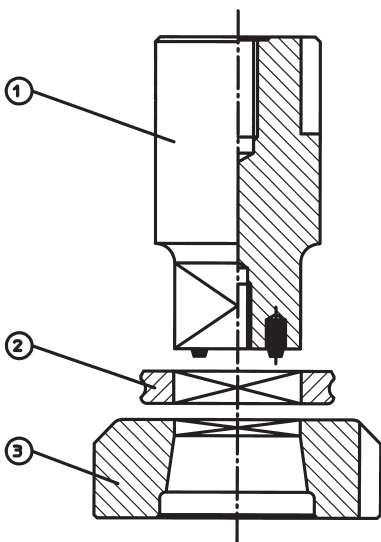
**PASS Standard**

**Station C (2")**



Special Shapes to 50.8 mm

pos.	Description	p / n	Price
1	Punch Insert	422C0?	*
2	Stripper insert	461C0?	*
3	Die (slug trap)	451C0?	*
4	Head/guide assy	499C01	*



\* please inquire

Catalog 10/02-A

PASS Standard Tools

System

**Amada**

**PASS STANZTECHNIK AG**



Am Steinkreuz 2

95473 Creußen / Ofr.

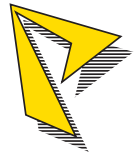
Telefon: 0 92 70 / 9 85 - 0

Fax: 0 92 70 / 9 85 - 99

E-Mail: [info@pass-ag.com](mailto:info@pass-ag.com)

Internet: [www.pass-ag.com](http://www.pass-ag.com)

## **PASS Standard Tools Station D**

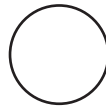


Am Steinkreuz 2  
 95473 Creußen / Ofr.  
 Telefon: 0 92 70 / 9 85 - 0  
 Fax: 0 92 70 / 9 85 - 99  
 E-Mail: info@pass-ag.com  
 Internet: www.pass-ag.com

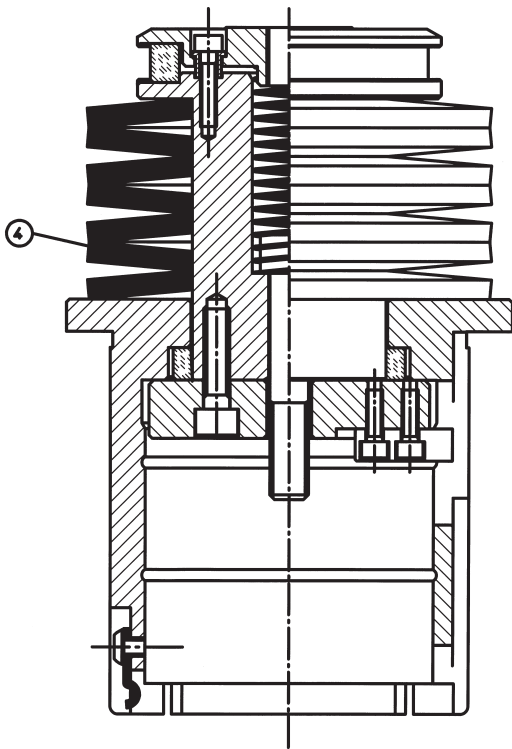
**PASS Standard**

**Station D (3 1/2“)**

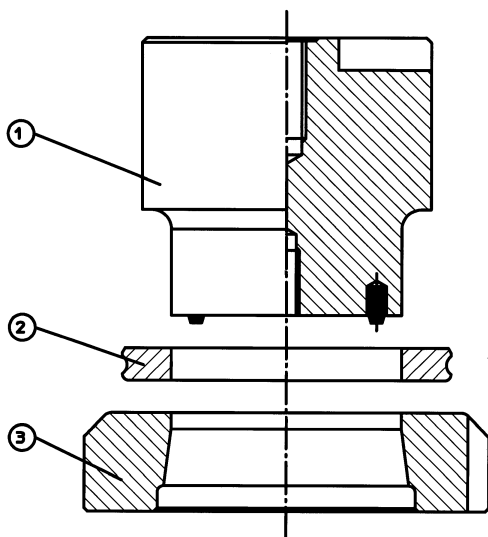
Round



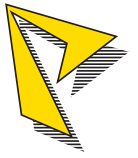
**Rounds 50.8 mm to 88.9 mm**



pos.	Description	p / n	Price
1	Punch Insert	422D01	*
2	Stripper insert	461D01	*
3	Die (slug trap)	451D01	*
4	Head/guide assy	499D01	*



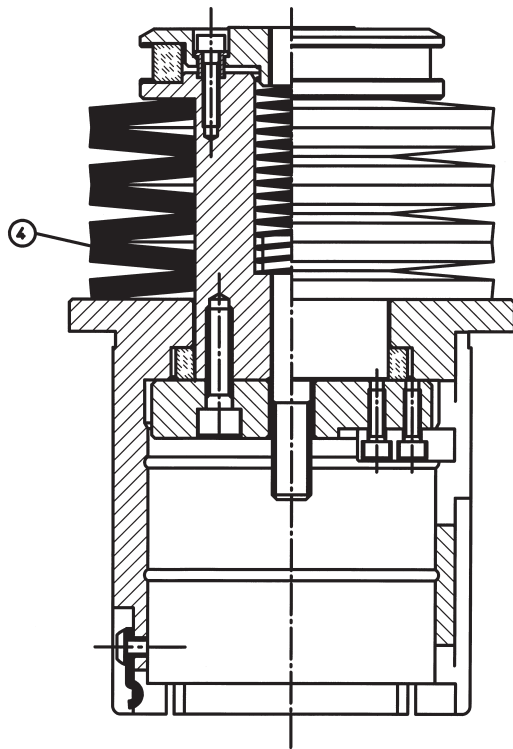
\* please inquire



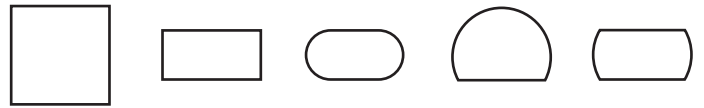
Am Steinkreuz 2  
 95473 Creußen / Ofr.  
 Telefon: 0 92 70 / 9 85 - 0  
 Fax: 0 92 70 / 9 85 - 99  
 E-Mail: info@pass-ag.com  
 Internet: www.pass-ag.com

**PASS Standard**

**Station D (3 1/2“)**

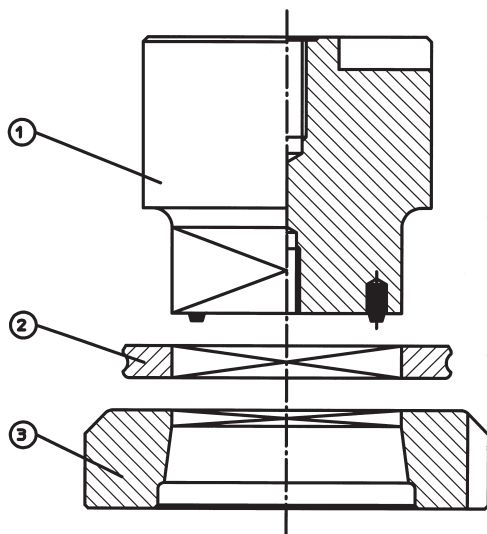


Form „2“ Form „3“ Form „4“ Form „5“ Form „6“

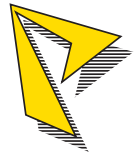


Standard Shapes to 88.9 mm

pos.	Description	p / n	Price
1	Punch Insert	422D0?	*
2	Stripper insert	461D0?	*
3	Die (slug trap)	451D0?	*
4	Head/guide assy	499D01	*



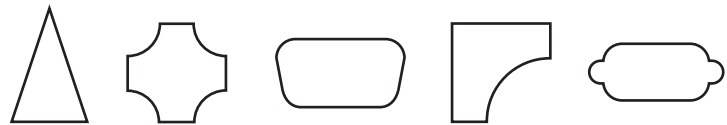
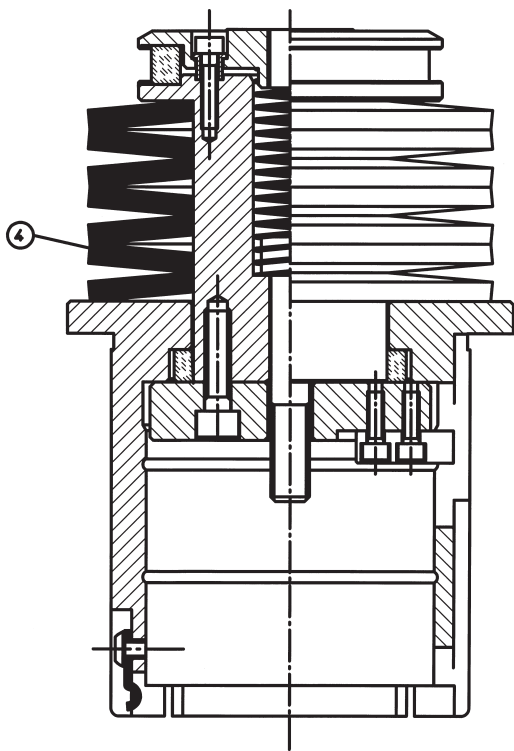
\* please inquire



Am Steinkreuz 2  
 95473 Creußen / Ofr.  
 Telefon: 0 92 70 / 9 85 - 0  
 Fax: 0 92 70 / 9 85 - 99  
 E-Mail: info@pass-ag.com  
 Internet: www.pass-ag.com

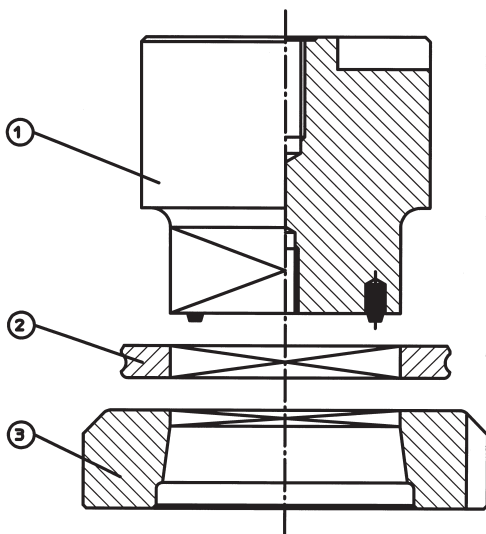
**PASS Standard**

**Station D (3 1/2“)**



Special Shapes to 88.9 mm

pos.	Description	p / n	Price
1	Punch Insert	422D0?	*
2	Stripper insert	461D0?	*
3	Die (slug trap)	451D0?	*
4	Head/guide assy	498D01	*



\* please inquire

Catalog 10/02-A

PASS Standard Tools

System

**Amada**

**PASS STANZTECHNIK AG**



Am Steinkreuz 2

95473 Creußen / Ofr.

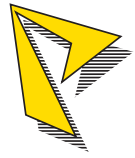
Telefon: 0 92 70 / 9 85 - 0

Fax: 0 92 70 / 9 85 - 99

E-Mail: [info@pass-ag.com](mailto:info@pass-ag.com)

Internet: [www.pass-ag.com](http://www.pass-ag.com)

## **PASS Standard Tools Station E**

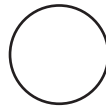


Am Steinkreuz 2  
 95473 Creußen / Ofr.  
 Telefon: 0 92 70 / 9 85 - 0  
 Fax: 0 92 70 / 9 85 - 99  
 E-Mail: info@pass-ag.com  
 Internet: www.pass-ag.com

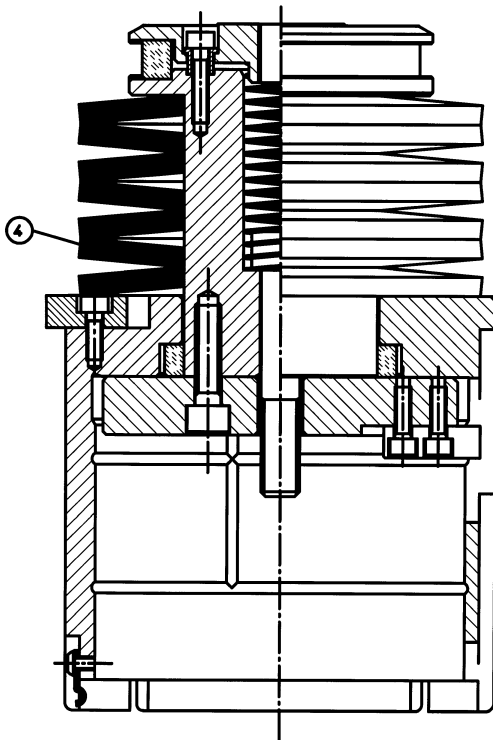
**PASS Standard**

**Station E (4 1/2")**

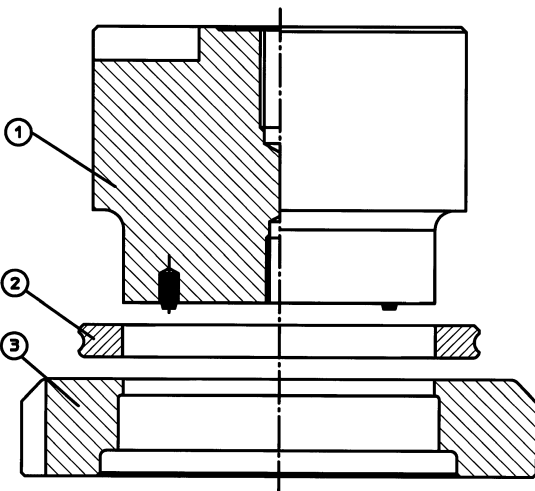
Round



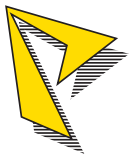
**Rounds 88.9 mm to 114.3 mm**



pos.	Description	p / n	Price
1	Punch Insert	422E01	*
2	Stripper insert	461E01	*
3	Die (slug trap)	451E01	*
4	Head/guide assy	499E01	*



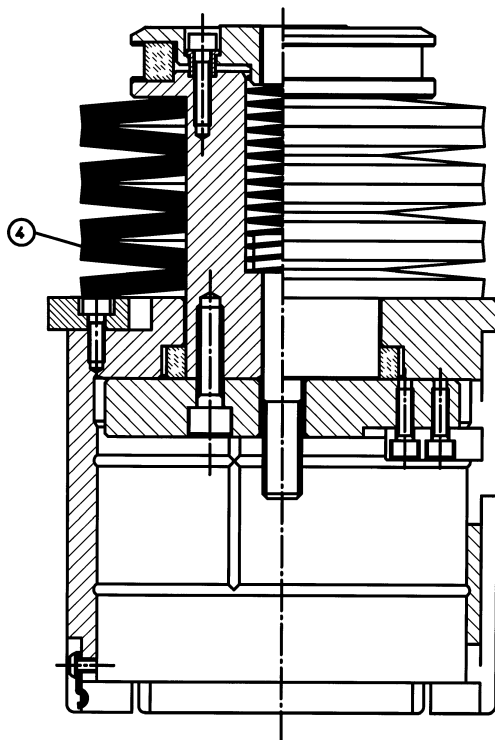
\* please inquire



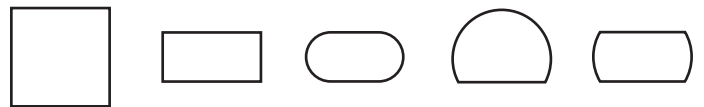
Am Steinkreuz 2  
 95473 Creußen / Ofr.  
 Telefon: 0 92 70 / 9 85 - 0  
 Fax: 0 92 70 / 9 85 - 99  
 E-Mail: info@pass-ag.com  
 Internet: www.pass-ag.com

**PASS Standard**

**Station E (4 1/2")**

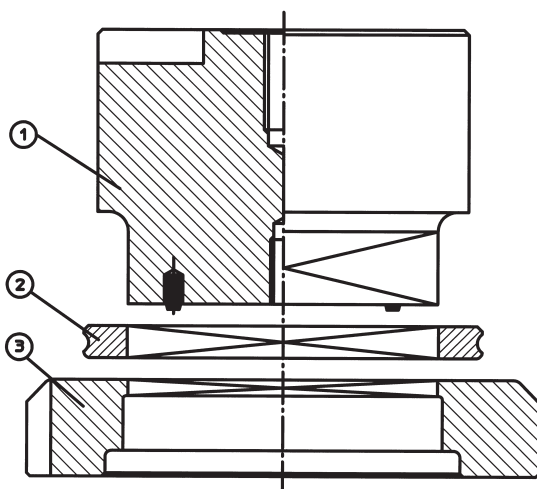


Form „2“ Form „3“ Form „4“ Form „5“ Form „6“



Standard Shapes to 114.3 mm

pos.	Description	p / n	Price
1	Punch Insert	422E0?	*
2	Stripper insert	461E0?	*
3	Die (slug trap)	451E0?	*
4	Head/guide assy	499E01	*



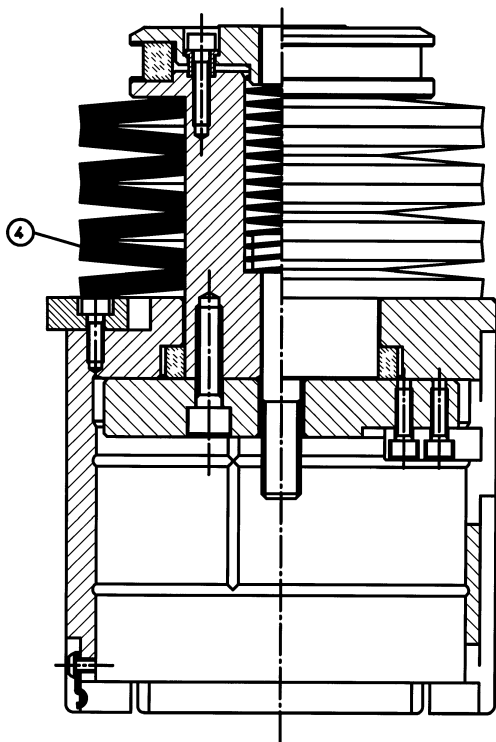
\* please inquire



Am Steinkreuz 2  
 95473 Creußen / Ofr.  
 Telefon: 0 92 70 / 9 85 - 0  
 Fax: 0 92 70 / 9 85 - 99  
 E-Mail: info@pass-ag.com  
 Internet: www.pass-ag.com

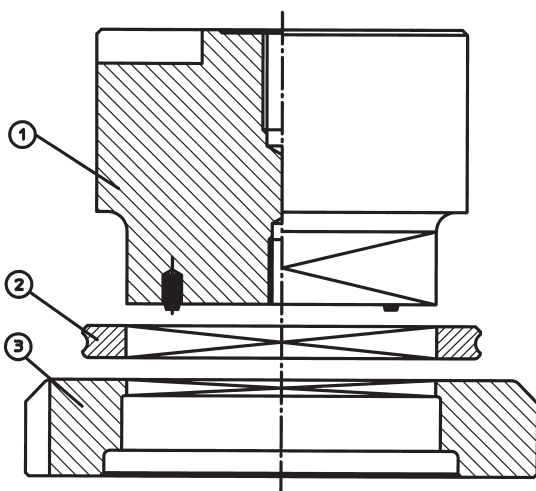
**PASS Standard**

**Station E (4 1/2")**

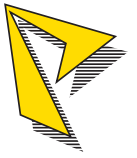


Special Shapes to 114.3 mm

pos.	Description	p / n	Price
1	Punch Insert	422E0?	*
2	Stripper insert	461E0?	*
3	Die (slug trap)	451E0?	*
4	Head/guide assy	499E01	*



\* please inquire



## **Special Shape Descriptions**

### **Punch Shear Options**

### **Shape Orientations**



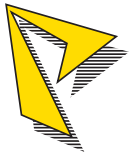
Am Steinkreuz 2  
 95473 Creußen / Ofr.  
 Telefon: 0 92 70 / 9 85 - 0  
 Fax: 0 92 70 / 9 85 - 99  
 E-Mail: info@pass-ag.com  
 Internet: www.pass-ag.com

System

**Amada**

**PASS SPECIAL SHAPES**

<p>SF 01</p>	<p>SF 02</p>	<p>SF 03</p>
<p>SF 04</p>	<p>SF 05</p>	<p>SF 06</p>
<p>SF 07</p>	<p>SF 08</p>	<p>SF 09</p>



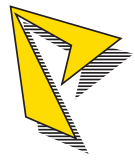
Am Steinkreuz 2  
 95473 Creußen / Ofr.  
 Telefon: 0 92 70 / 9 85 - 0  
 Fax: 0 92 70 / 9 85 - 99  
 E-Mail: info@pass-ag.com  
 Internet: www.pass-ag.com

System

**Amada**

**PASS SPECIAL SHAPES**

<p style="text-align: center;">SF 10</p>	<p style="text-align: center;">SF 11</p>	<p style="text-align: center;">SF 12</p>
<p style="text-align: center;">SF 13</p>	<p style="text-align: center;">SF 14</p>	<p style="text-align: center;">SF 15</p>
<p style="text-align: center;">SF 16</p>	<p style="text-align: center;">SF 17</p>	

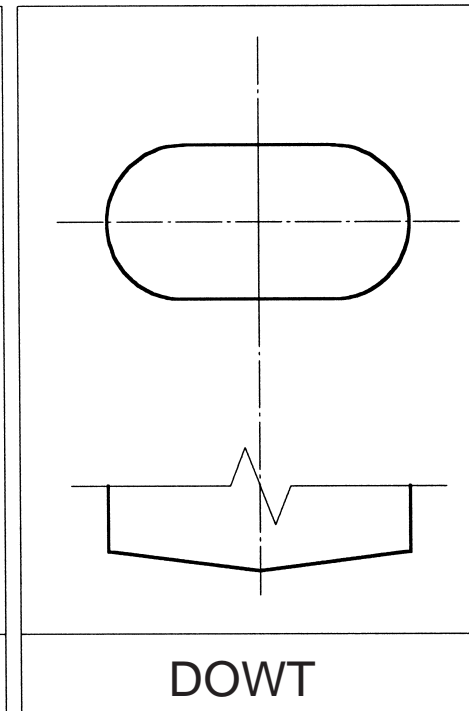
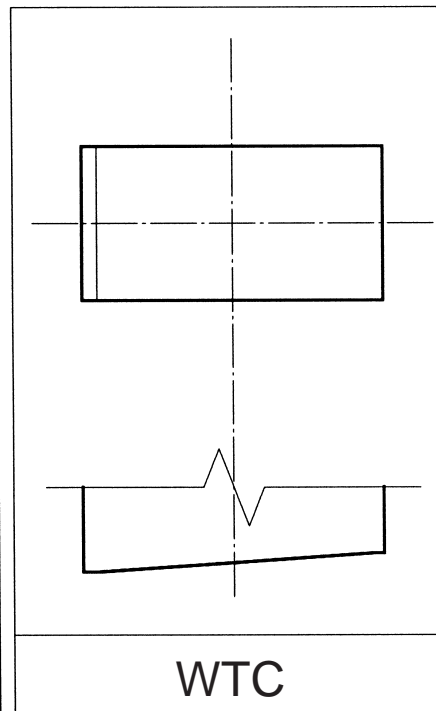
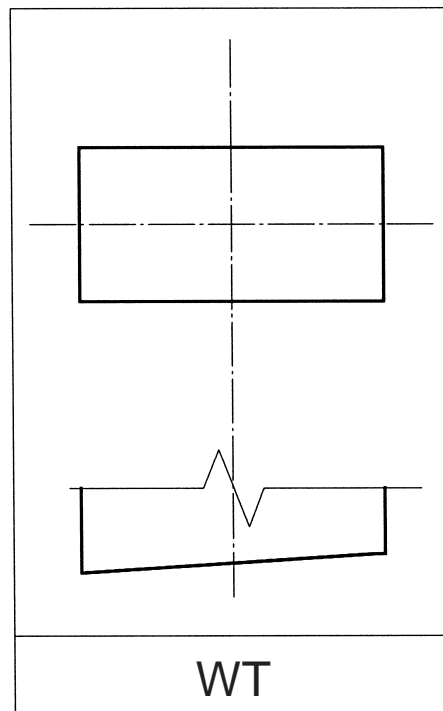
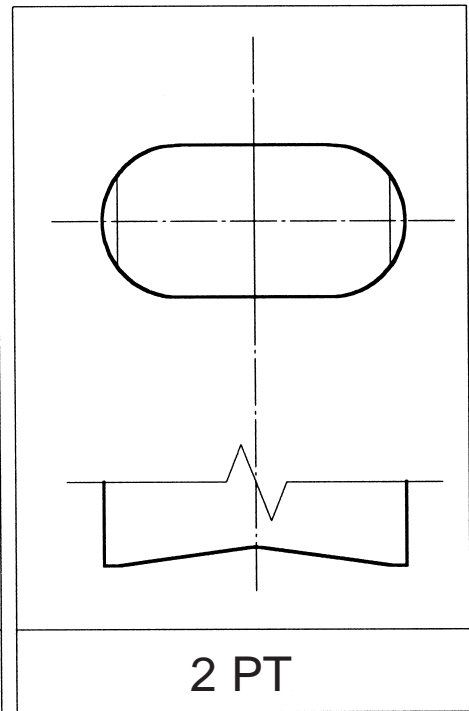
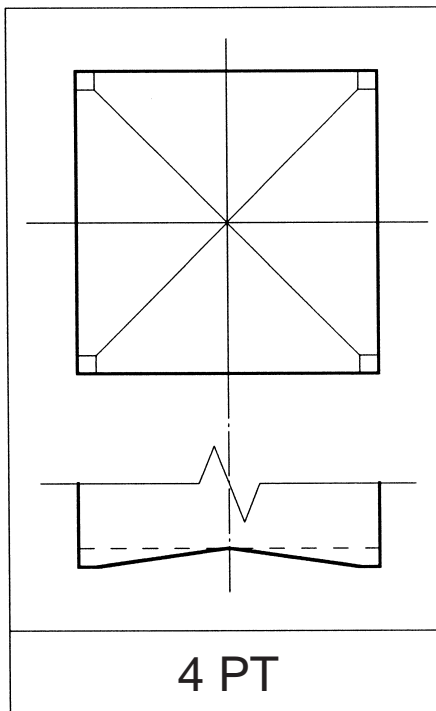
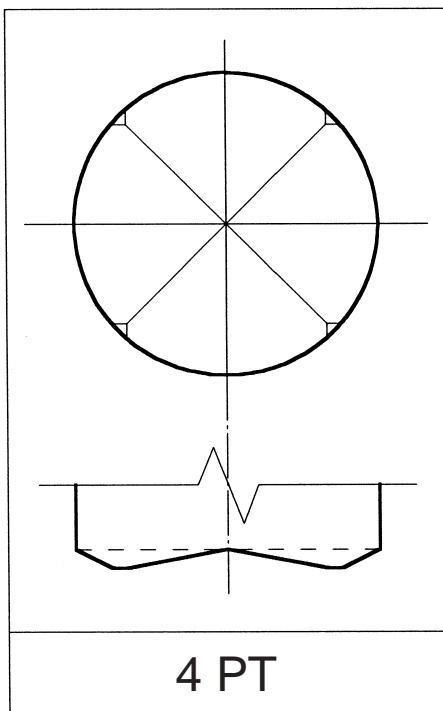


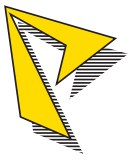
System

**Amada**

Am Steinkreuz 2  
95473 Creußen / Ofr.  
Telefon: 0 92 70 / 9 85 - 0  
Fax: 0 92 70 / 9 85 - 99  
E-Mail: info@pass-ag.com  
Internet: www.pass-ag.com

## PUNCH SHEAR OPTIONS



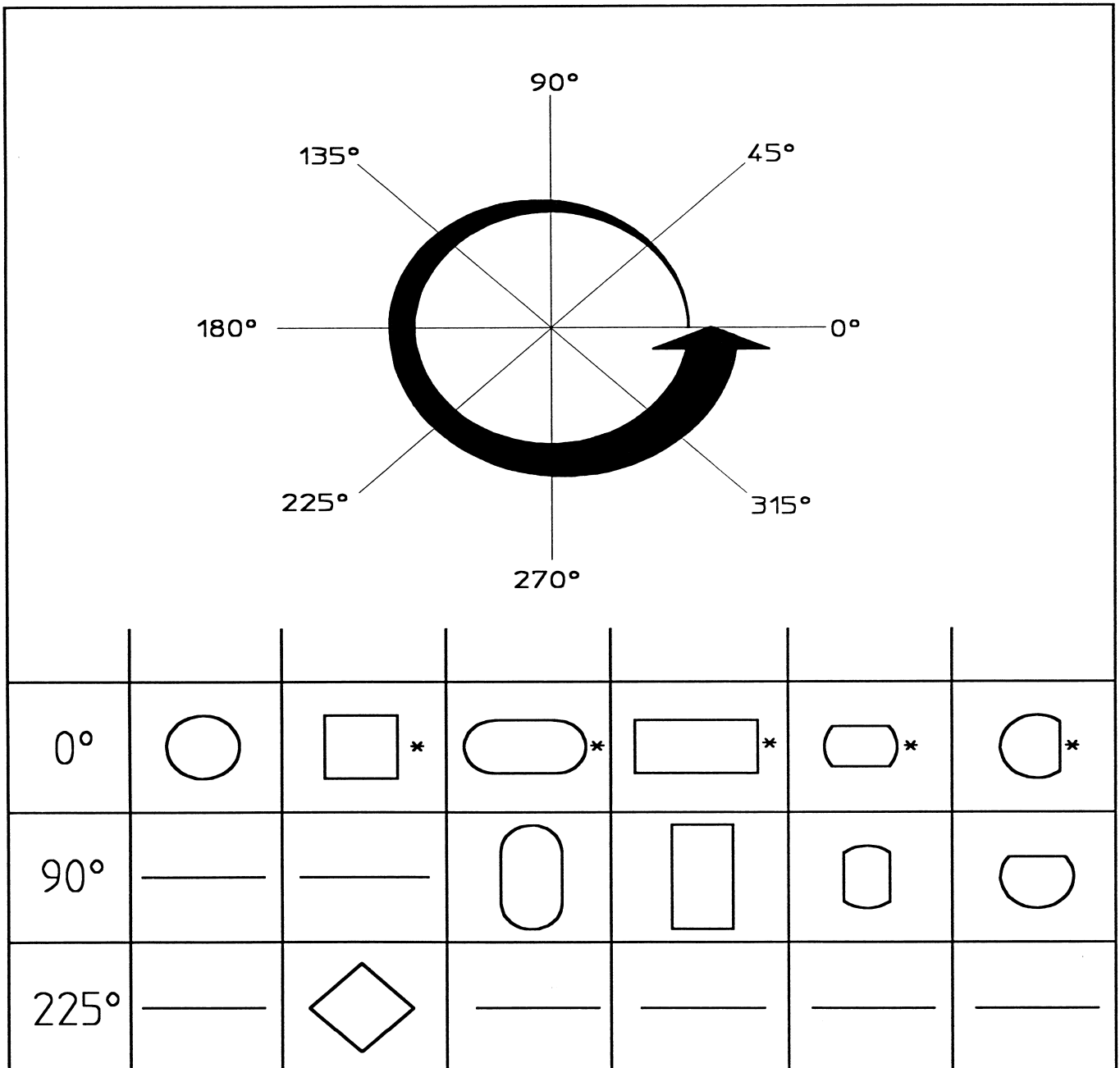


Am Steinkreuz 2  
 95473 Creußen / Ofr.  
 Telefon: 0 92 70 / 9 85 - 0  
 Fax: 0 92 70 / 9 85 - 99  
 E-Mail: info@pass-ag.com  
 Internet: www.pass-ag.com

System

**Amada**

**SHAPE ORIENTATION**





System

**Amada**

Am Steinkreuz 2  
95473 Creußen / Ofr.  
Telefon: 0 92 70 / 9 85 - 0  
Fax: 0 92 70 / 9 85 - 99  
E-Mail: [info@pass-ag.com](mailto:info@pass-ag.com)  
Internet: [www.pass-ag.com](http://www.pass-ag.com)

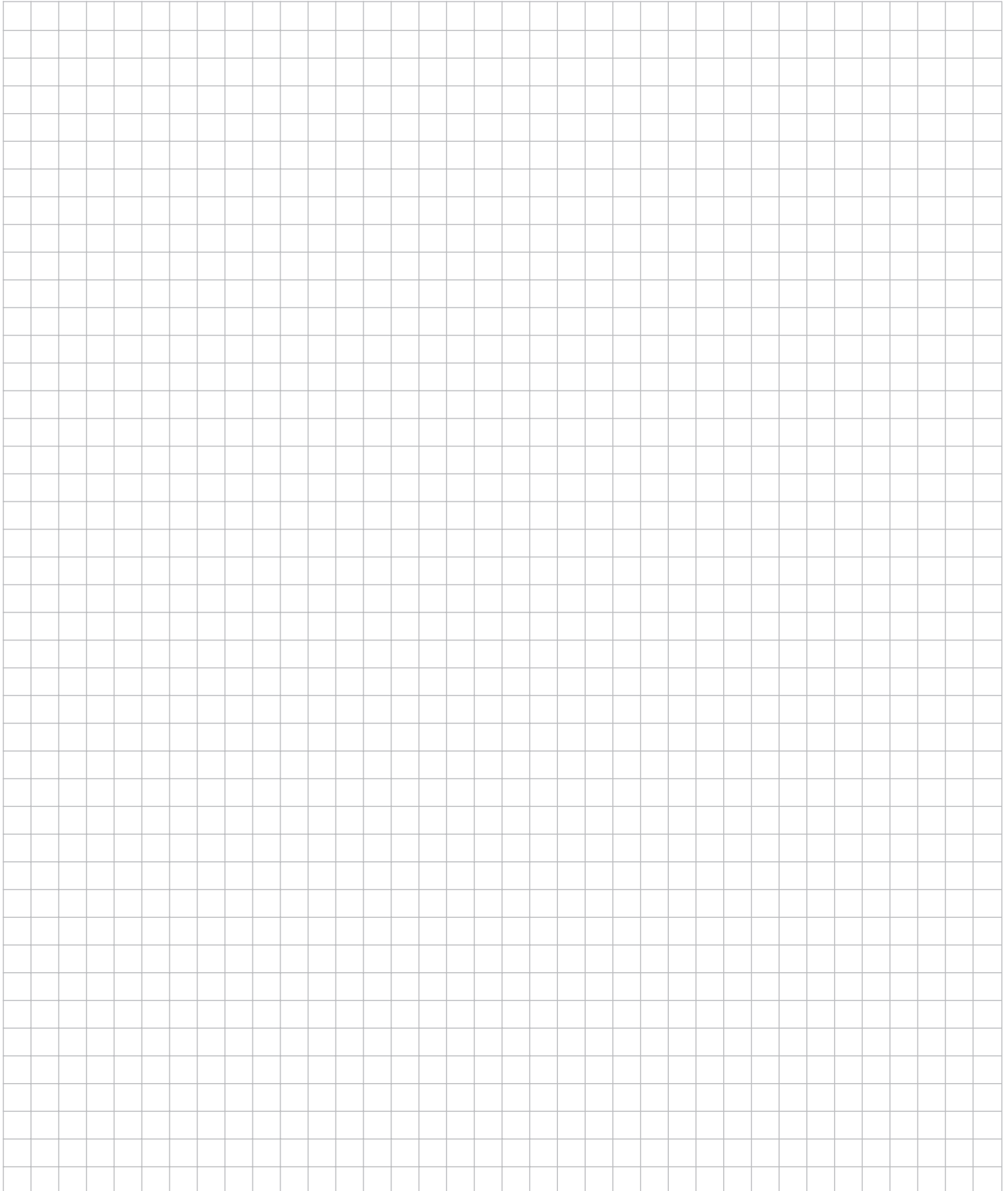




System

**Amada**

Am Steinkreuz 2  
95473 Creußen / Ofr.  
Telefon: 0 92 70 / 9 85 - 0  
Fax: 0 92 70 / 9 85 - 99  
E-Mail: [info@pass-ag.com](mailto:info@pass-ag.com)  
Internet: [www.pass-ag.com](http://www.pass-ag.com)



Catalog 10/02-A

System

**Amada**

**PASS STANZTECHNIK AG**



Am Steinkreuz 2  
95473 Creußen / Ofr.  
Telefon: 0 92 70 / 9 85 - 0  
Fax: 0 92 70 / 9 85 - 99  
E-Mail: [info@pass-ag.com](mailto:info@pass-ag.com)  
Internet: [www.pass-ag.com](http://www.pass-ag.com)