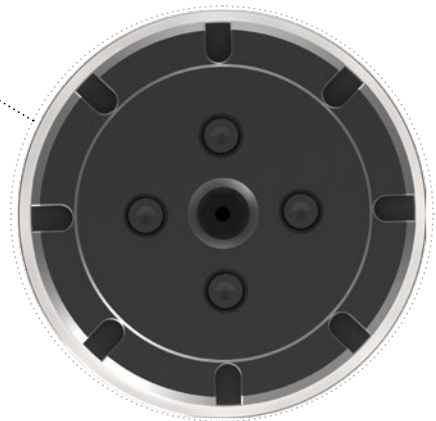


# ps:®MTP8RiA(PIN)-12,7

FOR MACHINE TYPE THICK TURRET – STATION Di

- simple and quick change of punches with maximum process stability
- minimum tool and guide wear due to maximum guide length
- internal and external lubrication channels
- special spring to control grind life after sharpening punches
- no “witness-marks” on the sheet, due to single active punch – all unused punches stay up
- individual adjustment of stripping force
- maximum performance range due to robust design of all components for sheet thicknesses up to  $s = 6,0$  mm (all materials)
- possibility to use standard tools from product line **ps:®beta-V2®**



patented  
EP 2,596,878  
US 9,266,248

11/2011

TRUMPF

THICK TURRET

SALVAGNINI

Product flyer 09/2023 Version 1.1