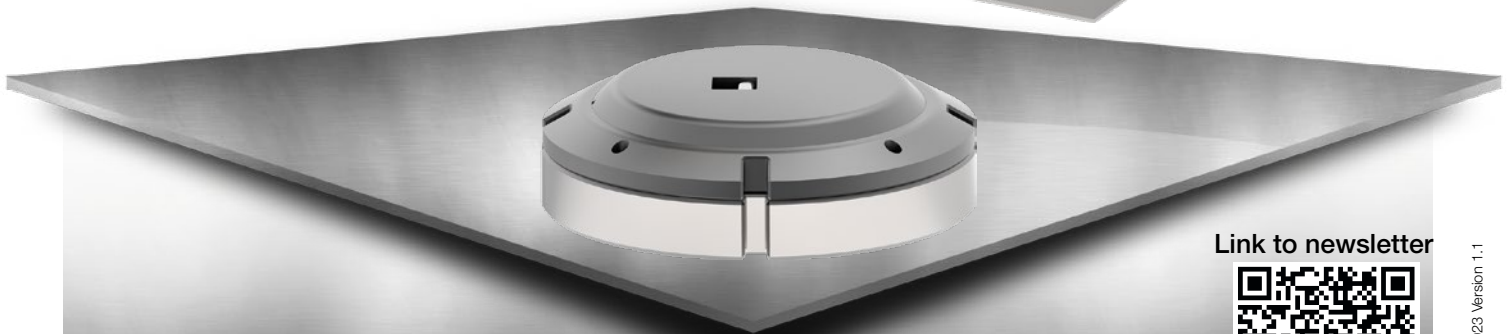
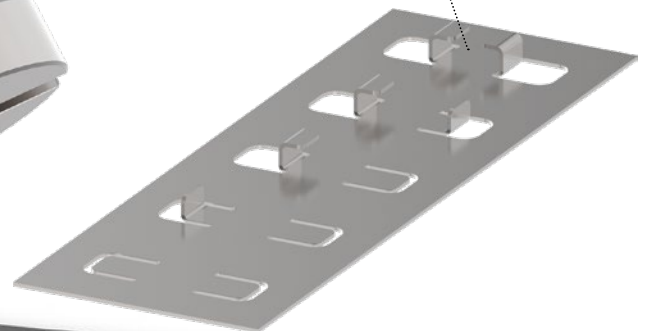
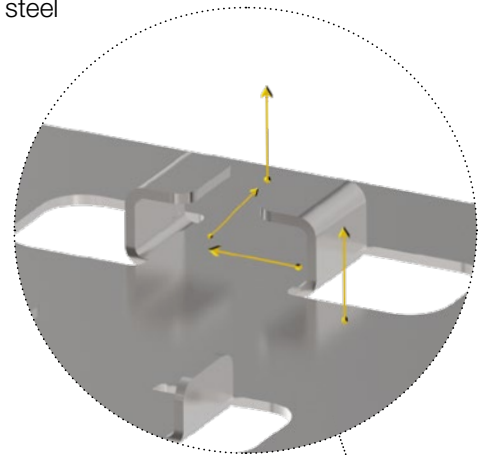


# ps:<sup>®</sup>hook

FOR MACHINE TYPES TRUMPF & THICK TURRET

- production of double bends in the smallest space
- forming station necessary
- embossing height up to 14 mm
- many different application areas e.g. case construction, steel furniture, drawers, transport boxes, etc.
- for all sheet materials aluminium, steel, stainless steel



Link to newsletter



TRUMPF

THICK TURRET

SALVAGNINI