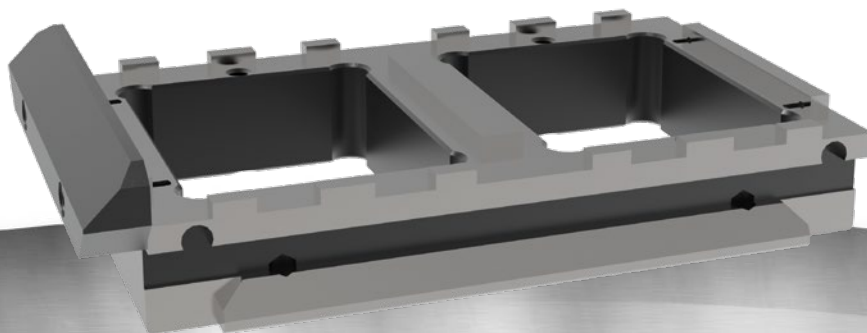
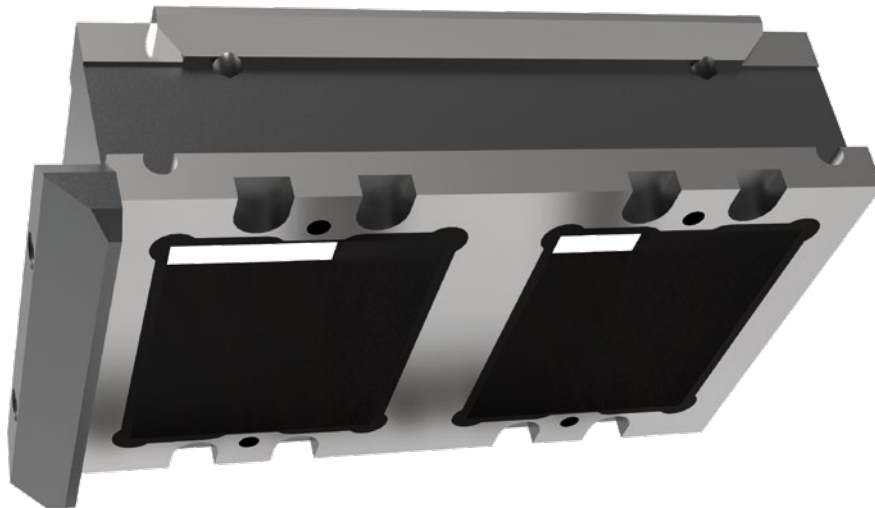


TOOL-CASSETTES (TYPE 70 MM)

FOR MACHINE TYPE SALVAGNINI S4

- cassette for 260 kN
- type 70 mm
- P21 up to P24
- max. diameter 70 x 90 mm



TRUMPF

THICK TURRET

SALVAGNINI