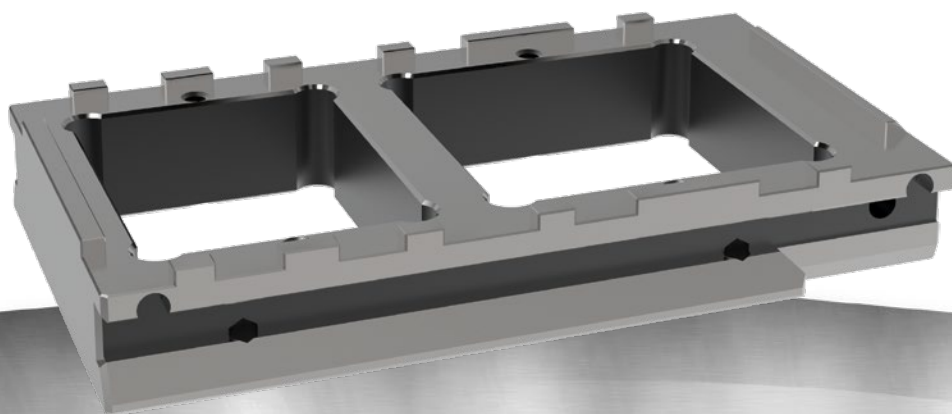
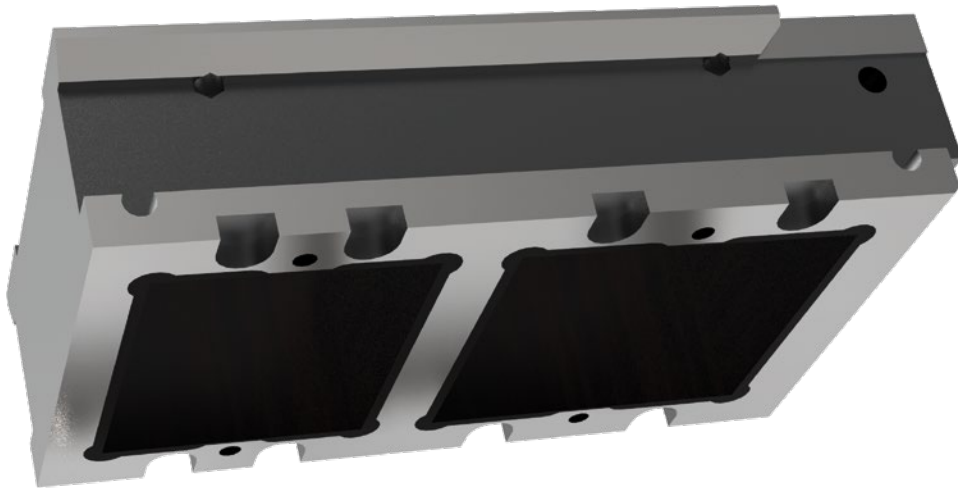


# TOOL-CASSETTES (TYPE 90 MM)

FOR MACHINE TYPE SALVAGNINI S4

- cassette for 260 kN
- type 90 mm
- P23 and P24
- max. diameter  
70 x 90 mm / 90 x 90 mm



TRUMPF

THICK TURRET

SALVAGNINI