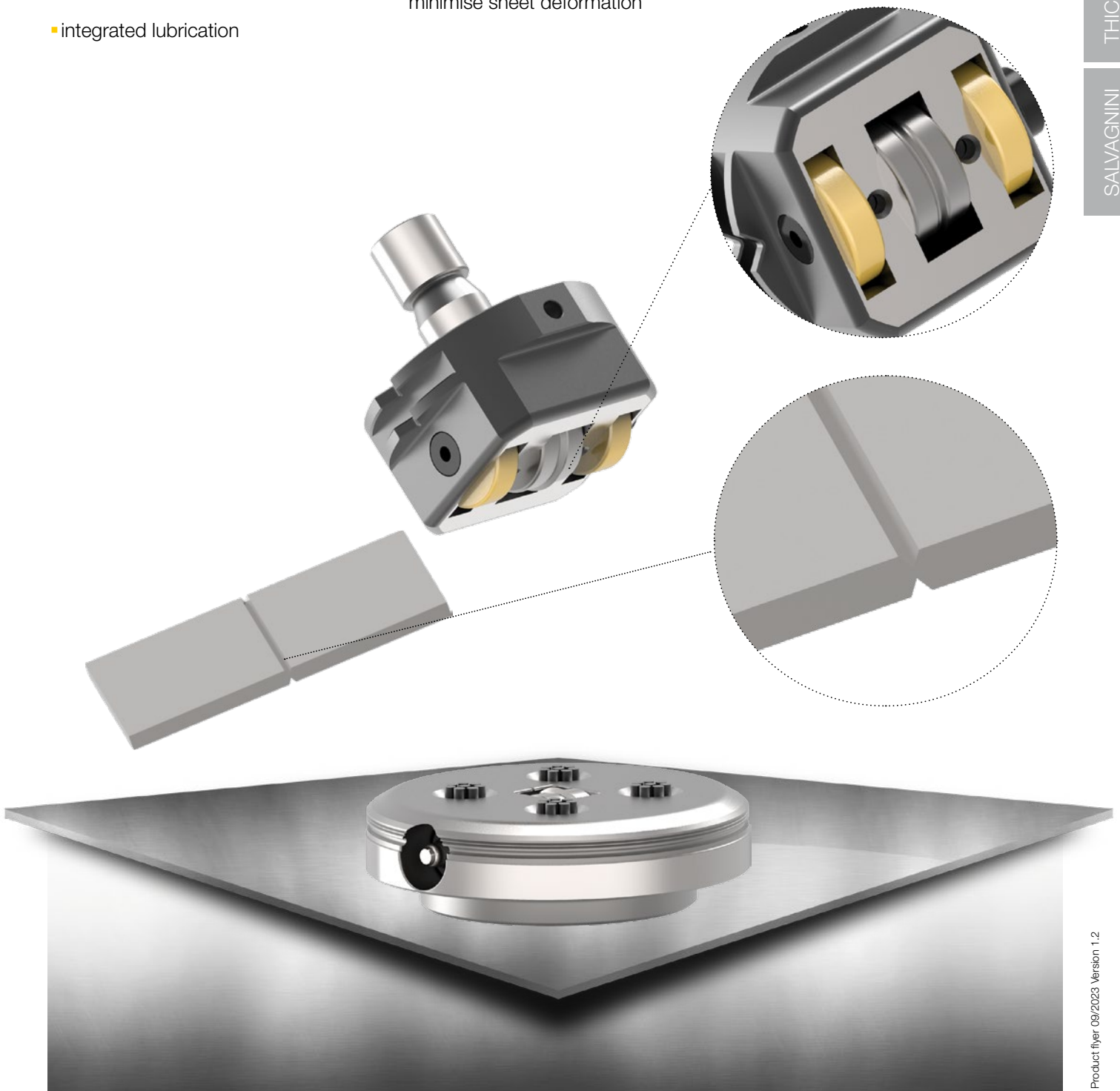


ps:[®]wheel-pincher

FOR MACHINE TYPE TRUMPF

- for subsequent manual or automated slittings of sheets
- for different sheet materials and thicknesses
- integrated lubrication
- perfect operating characteristics due to the shafts coated with a special lubrication
- with additional support wheels to minimise sheet deformation



TRUMPF

THICK TURRET

SALVAGNINI

Product flyer 09/2023 Version 1.2