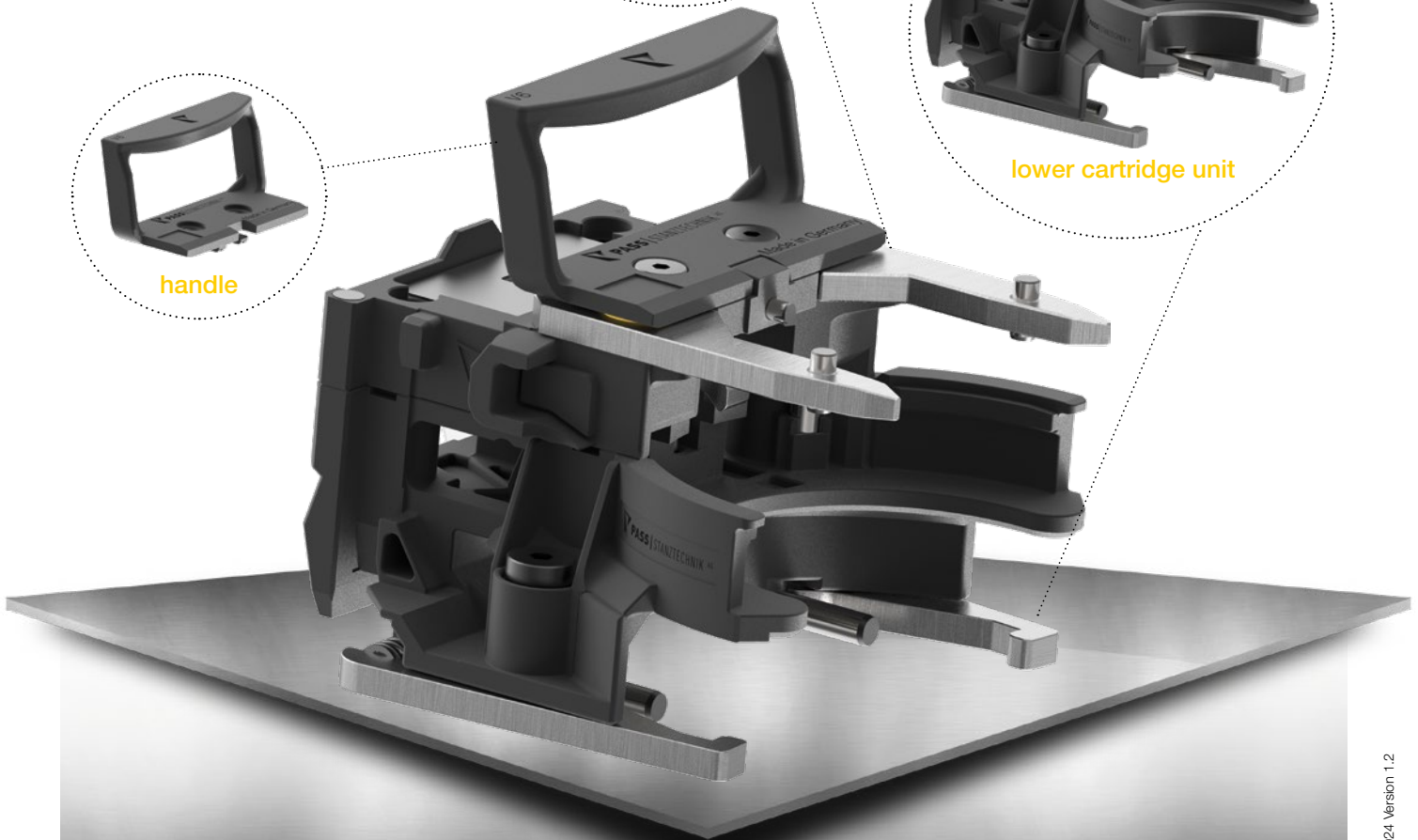
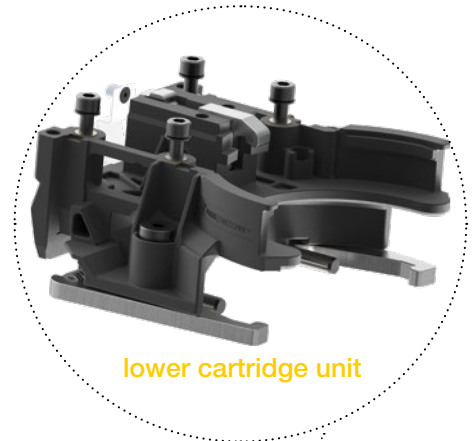
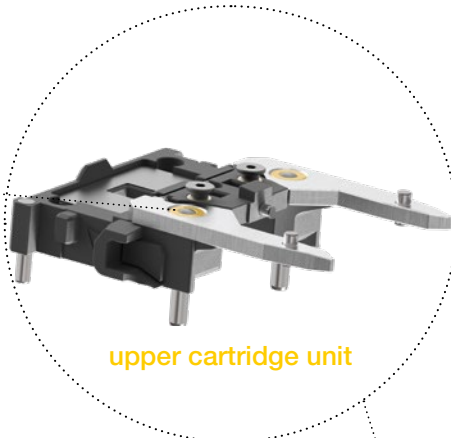
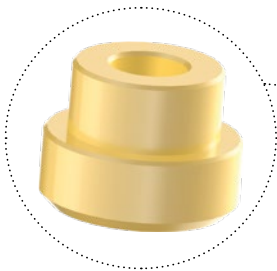


ps:[®]3D-RTC

TOOL CARTRIDGE FOR TRUMPF PUNCHING MACHINES H & I

- consisting of three segment assemblies
- individual segments easily interchangeable
- repairs possible due to good accessibility of individual parts
- lightweight therefore increased machine performance due to higher axis acceleration
- robust design
- metal plain bearing bushes: high load carrying capacity and low wear
- cost and resource saving



TRUMPF
THICK TURRET
SALVAGNINI

09/2023

patent pending

Product flyer 09/2024 Version 1.2