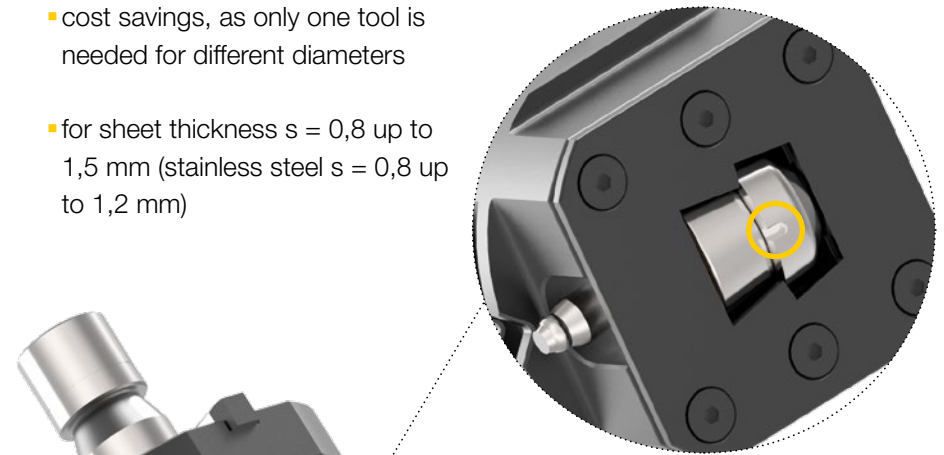


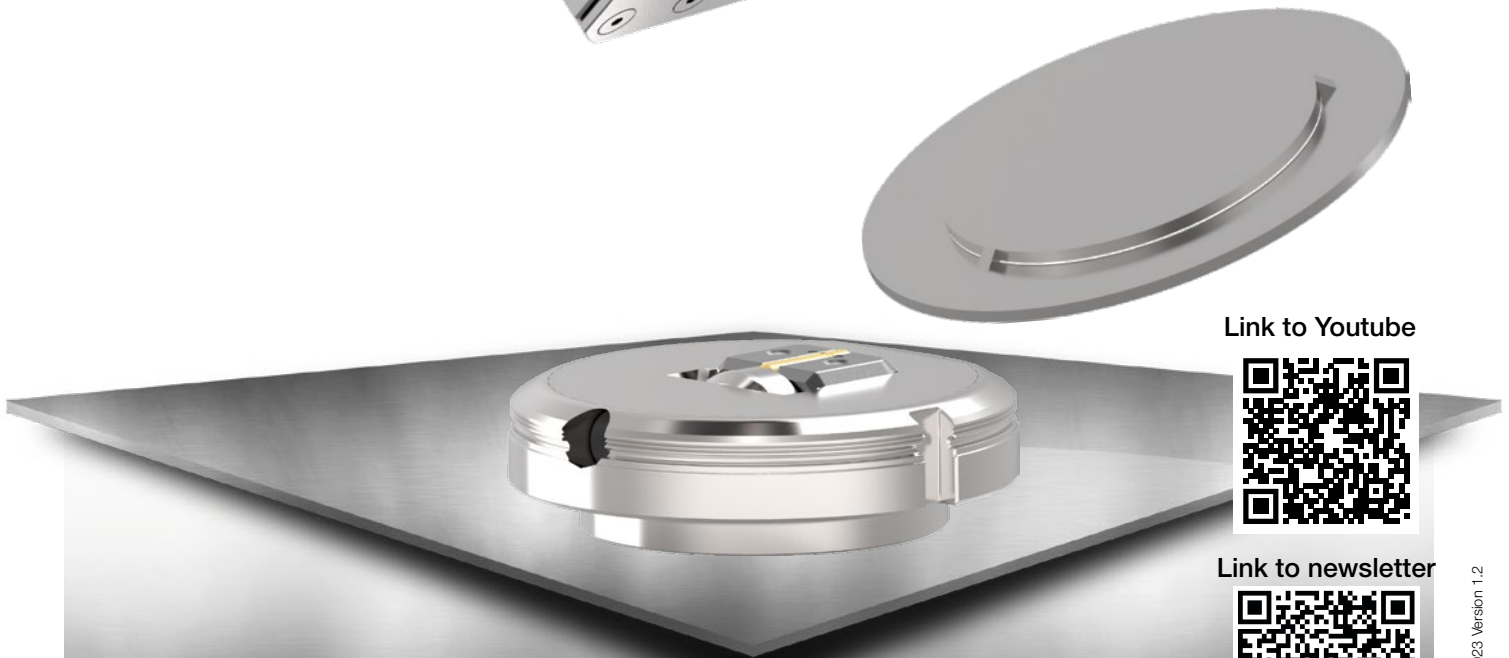
ps:[®]wheel-knock-out-sl

FOR MACHINE TYPE TRUMPF

- shape- and size-independent tool for flexible on-site knock-outs
- flexible diameters with only ONE tool (from d = 150,0 mm)
- individual design (min. radius r = 75,0 mm)
- long-lasting lifetime of the cutting wheels due to X3-PM design
- several connections possible
- time savings as no tool change is necessary
- cost savings, as only one tool is needed for different diameters
- for sheet thickness s = 0,8 up to 1,5 mm (stainless steel s = 0,8 up to 1,2 mm)
- easy programming - as a wheel tool
- for sheet materials aluminium, steel, stainless steel



1 relief per wheel = 80 mm distance
 2 reliefs per wheel = 40 mm distance, etc.



Link to Youtube



Link to newsletter



patented
 EP 1,688,195
 US 7,343,767

TRUMPF

THICK TURRET

SALVAGNINI

Product flyer 09/2023 Version 1.2