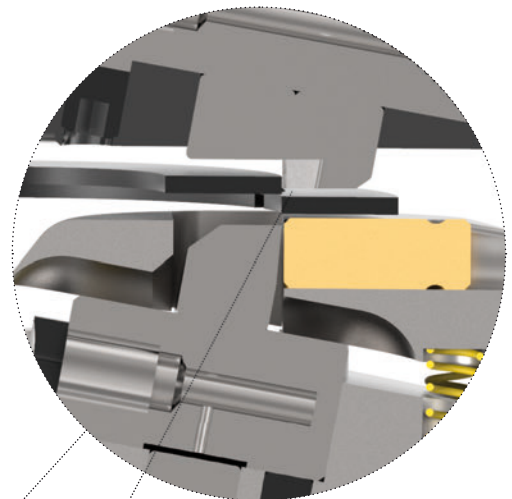


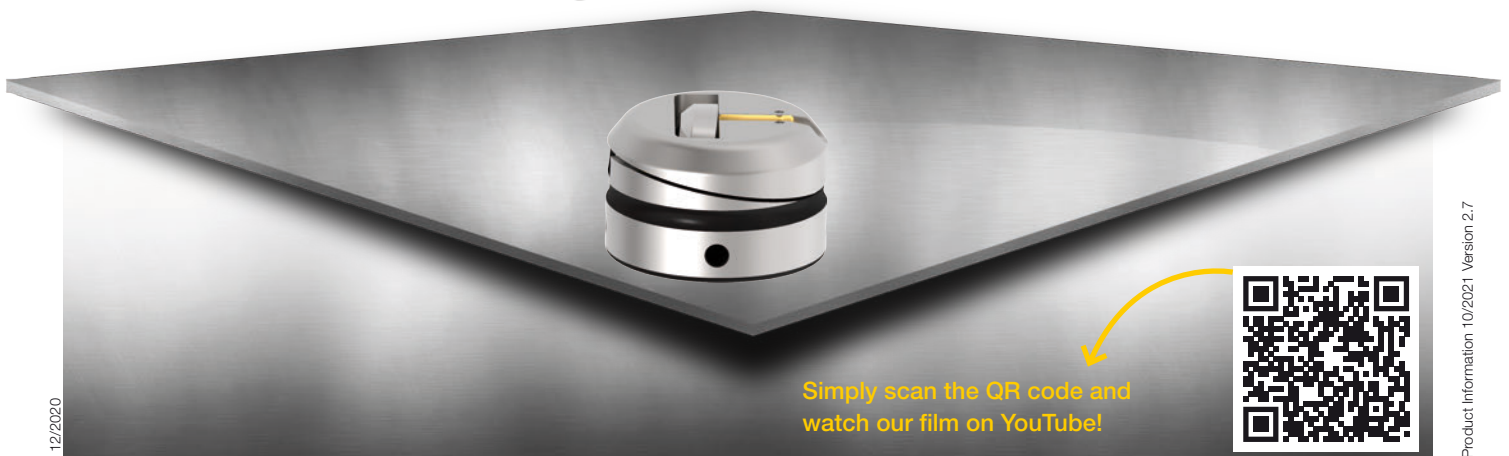
ps:[®]wheel-knock-out

FOR MACHINE TYPE THICK TURRET

- shape- and size-independent tool for flexible on-site knock-outs
- flexible diameters with only ONE tool (from d = 150,0 mm)
- individual design (min. radius r = 75,0 mm)
- several connections possible
- time saving due to no necessary tool change
- cost saving, as only one tool is needed per sheet thickness
- optional: spring-loaded lower part (no active die necessary)
- easy programming - as a wheel tool
- for sheet materials: aluminium, steel, stainless steel



1 relief per wheel = 91,1 mm distance
 2 reliefs per wheel = 45,55 mm distance, etc.



Simply scan the QR code and watch our film on YouTube!



TRUMPF

THICK TURRET

SALVAGNINI

12/2020

Product Information 10/2021 Version 2.7