

ps:[®]wheel

TRUMPF
THICK TURRET
SALVAGNINI

Current topics about **wheel tools**

Wheel tools - an always consistent topic within the sheet metal working world. No matter whether it's about beads, offsets or notches. With wheel tools, there are almost no limits and production times are significantly reduced.

You will find information about these wheel tools in our homepage under the heading **ps:[®]wheel** at the special tools.



patented
EP 1,688,195
US 7,343,767

Technical Information 08/2023, Version 2.2

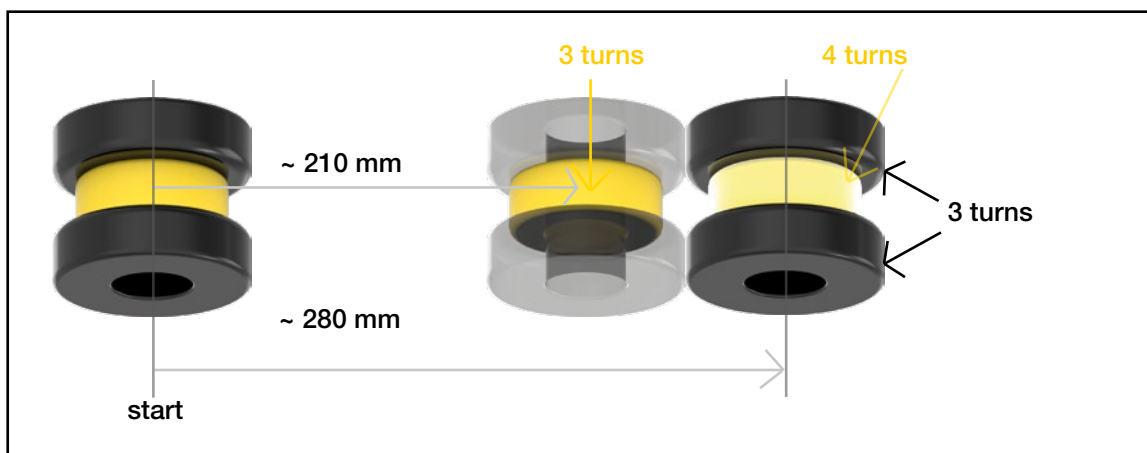
ps:® wheel

Wheel tools from PASS are specific:

The operation of our patented segmented wheels offers enormous advantages.

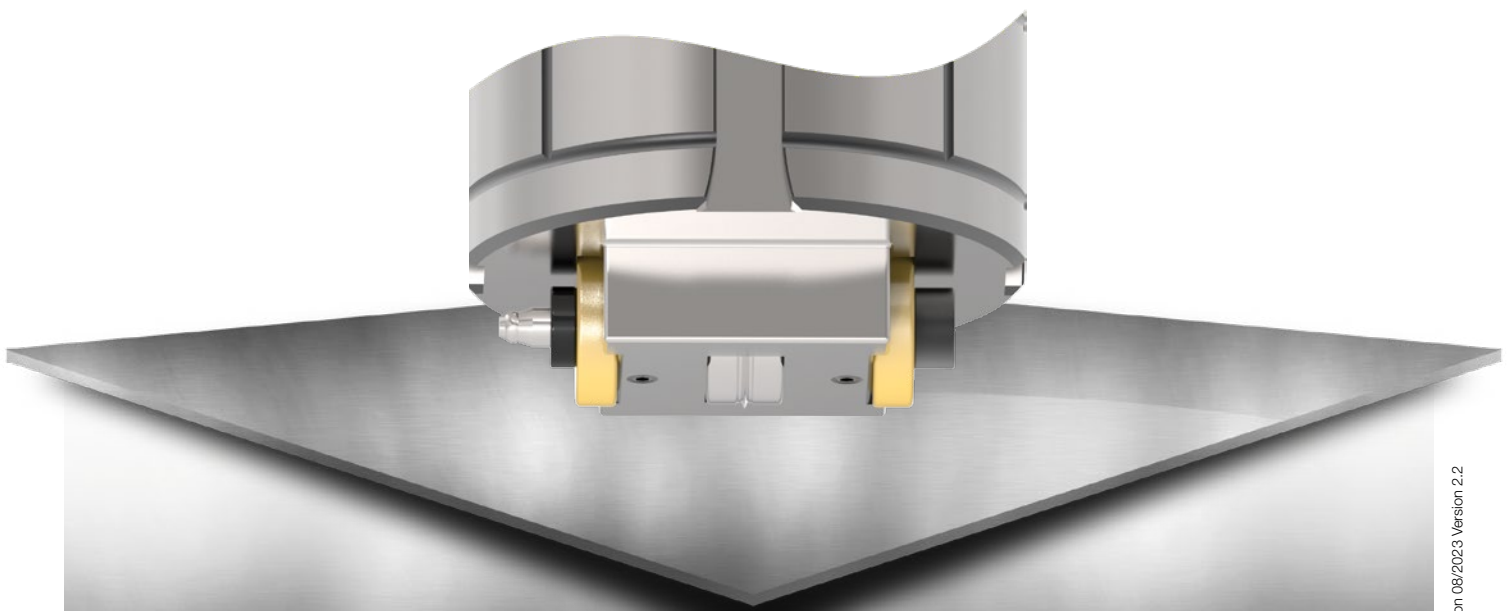
Due to each wheel operating individually each wheel maintains the best rotation speed and contact with the sheet without interfering with the other wheel. The result of this design is much less friction which in turn greatly reduces sheet warpage.

Segmented wheels are standard at PASS!



But it doesn't stop at that: Fine tuning is also possible by using additional support wheels – normally in the upper part of the tool. Warpage will also be decreased with this method.

Please feel free to contact us for any further questions!



patented
EP 1,688,195
US 7,343,767

TRUMPF

THICK TURRET

SALVAGNINI

Technical Information 08/2023, Version 2.2