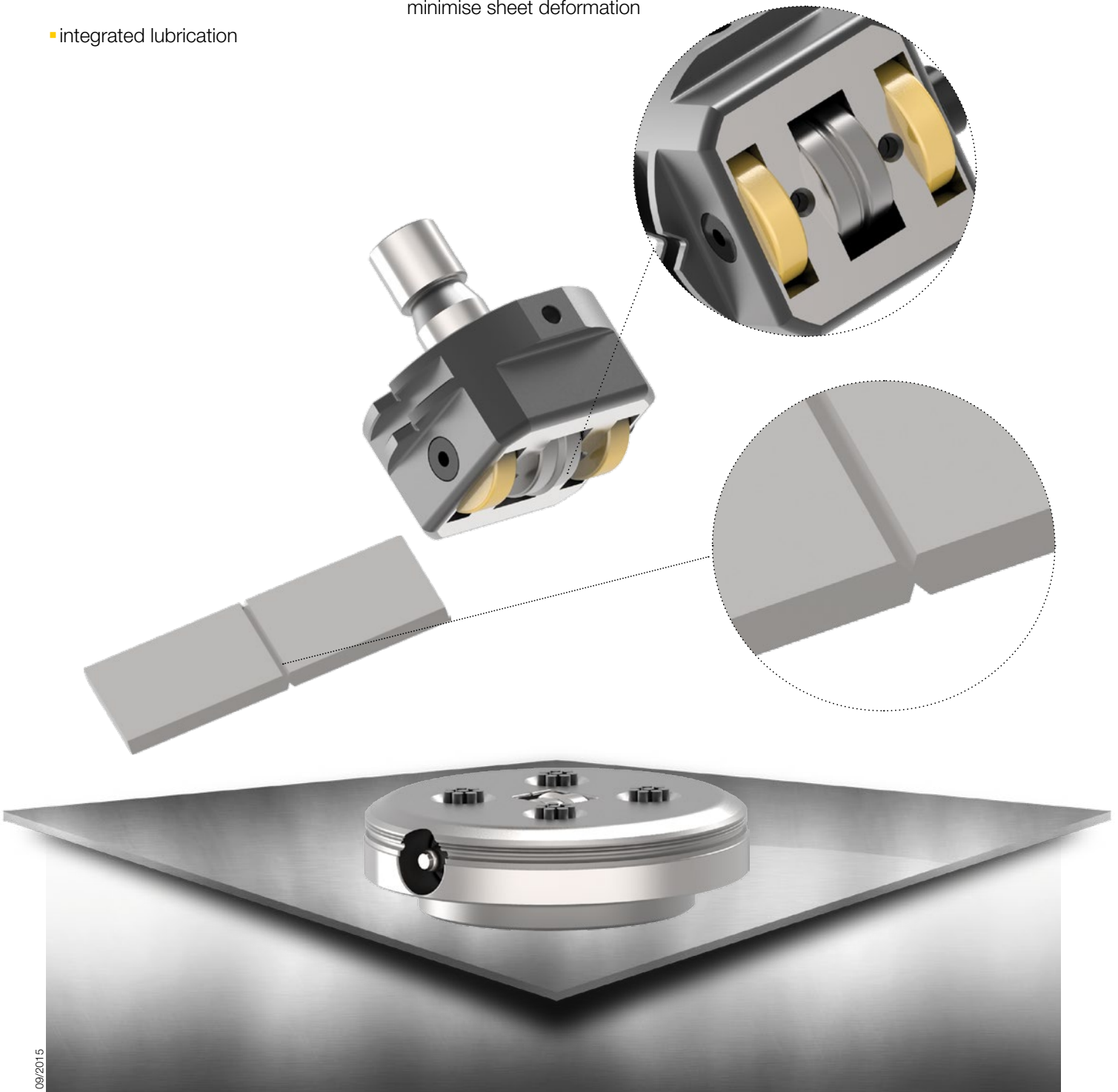


# ps:<sup>®</sup>wheel-pincher FOR MACHINE TYPE TRUMPF

TRUMPF

- for subsequent manual or automated slittings of sheets
- for different sheet materials and thicknesses
- integrated lubrication
- perfect operating characteristics due to the shafts coated with a special lubrication
- with additional support wheels to minimise sheet deformation



09/2015